



PRO-CELL CO., LTD.

SPECIFICATION FOR APPROVAL

Customer :

Model No. : OC-001

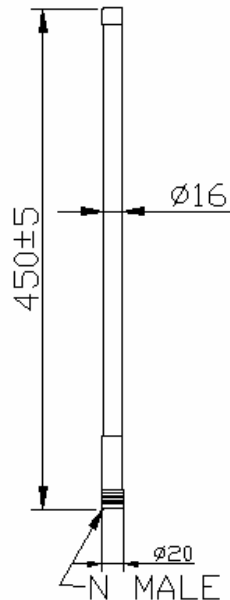
Description : 2.4~2.4835 GHz OMNI ANTENNA

Date : 2006 / 08 / 09

Rev : 1



PRO-CELL CO., LTD.



Electrical Specifications:

Frequency Range :	2.4~ 2.4835 GHz
VSWR :	≤ 2.0
Impedance :	50Ω ± 5Ω
Gain :	7 dBi
Polarization :	Vertical
Power Handling :	10 Watt
Beam Width :	H 360° E20.7

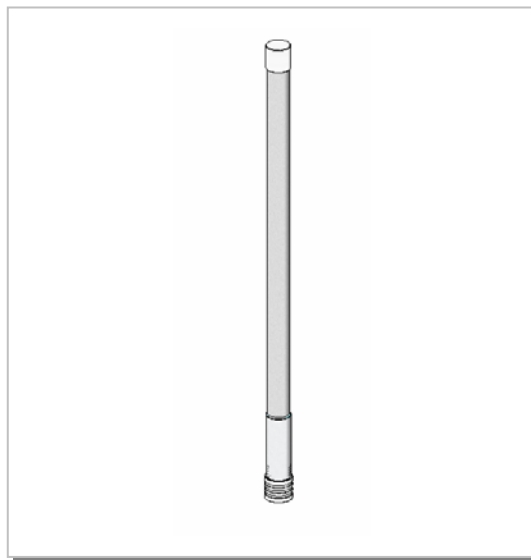
Mechanical Specifications:

Connector :	N MALE
Operation Temp. :	-30°C ~ +60°C
Material :	Radome: Fiberglass Base: Copper Mount:
Dimension (L*W*H) :	450*20 mm
Weight :	180g ±10 g



PRO-CELL CO., LTD.

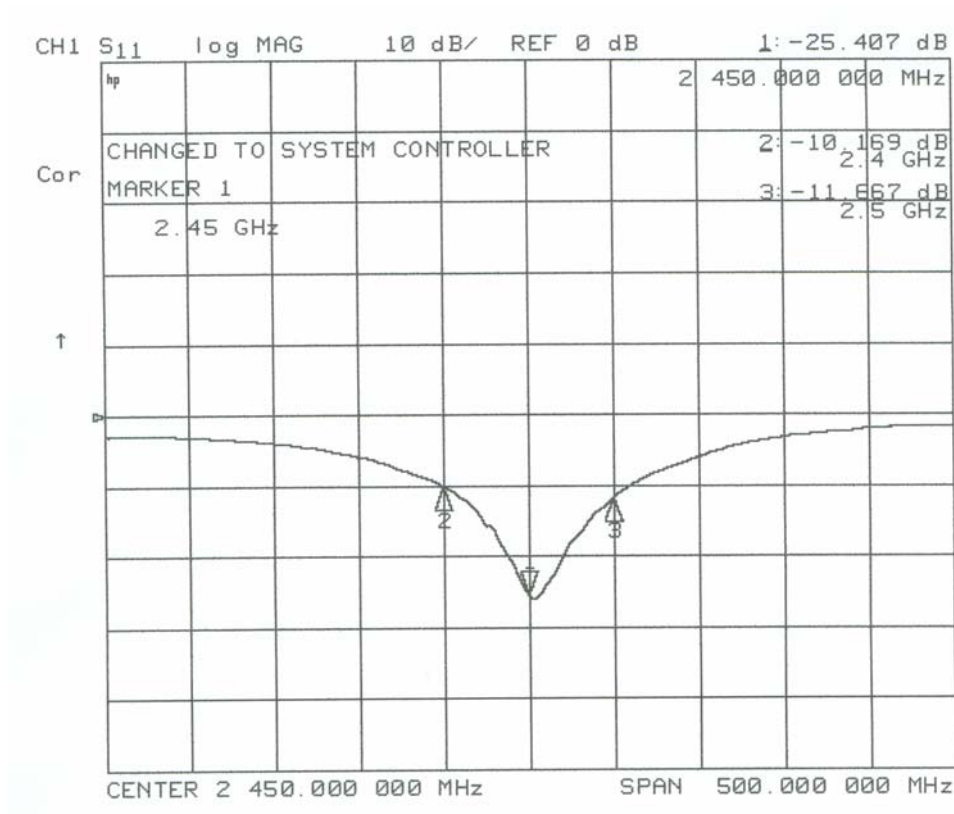
3D Illustration





PRO-CELL CO., LTD.

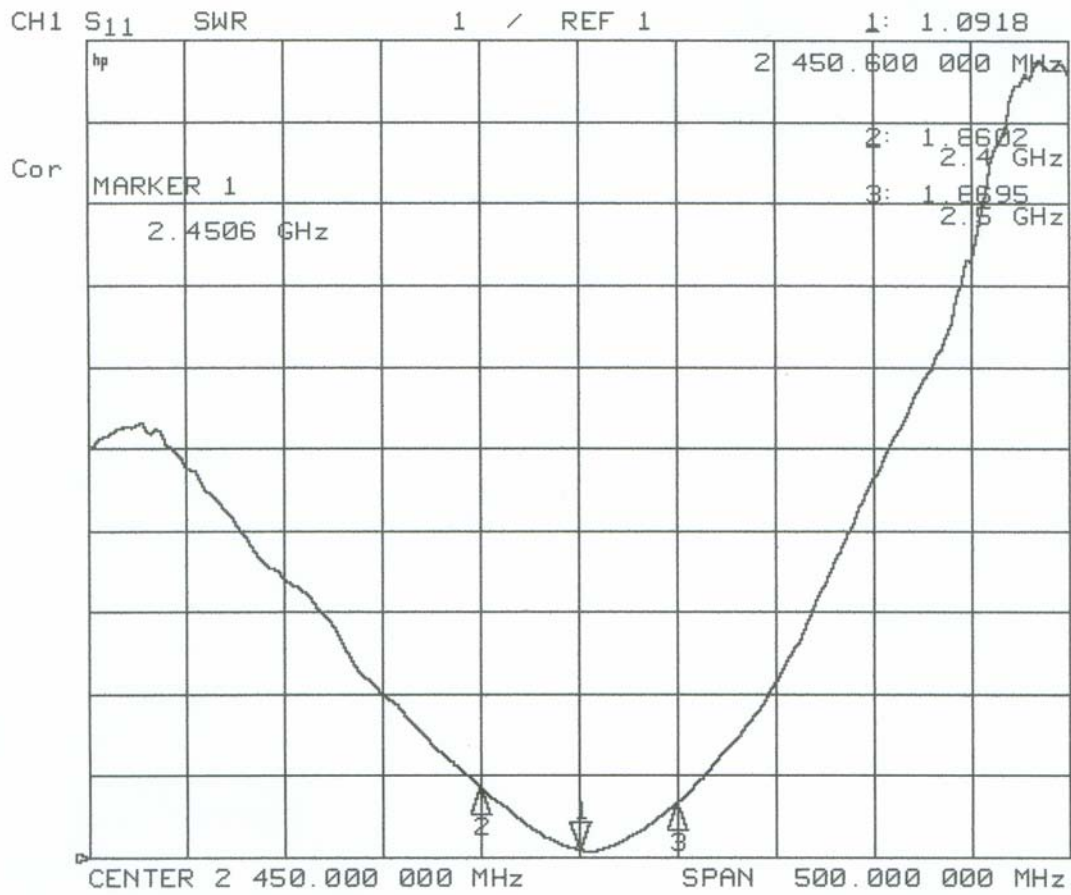
RETURN LOSS





PRO-CELL CO., LTD.

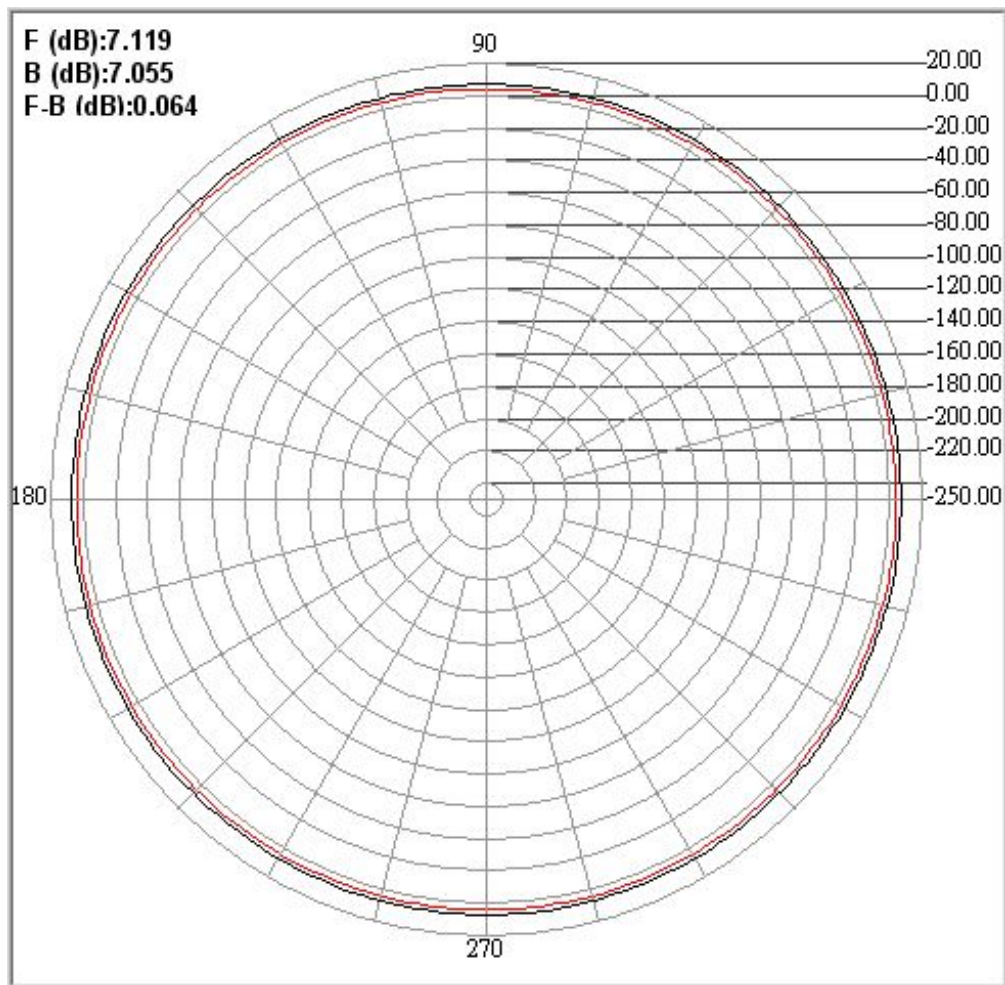
SWR





PRO-CELL CO., LTD.

H-PLANE





PRO-CELL CO., LTD.

E-PLANE

