



PRO-CELL CO., LTD.

SPECIFICATION FOR APPROVAL

Customer :

Model No. : OC-004

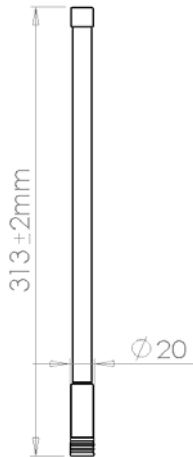
Description : 2.4~2.4835 GHz OMNI ANTENNA

Date : 2007 / 07 / 13

Rev : 1



PRO-CELL CO., LTD.



Electrical Specifications:

Frequency Range :	2.4~ 2.4835 GHz
VSWR :	≤ 2.0
Impedance :	50Ω ± 5Ω
Gain :	5 dBi
Polarization :	Vertical
Power Handling :	10 Watt
Beam Width :	H 360° E33.7°

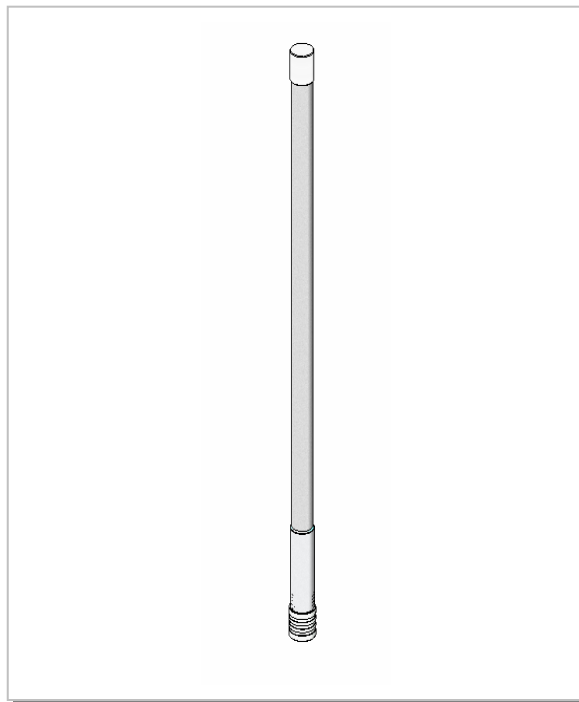
Mechanical Specifications:

Connector :	N male
Operation Temp. :	-30°C ~ +60°C
Material :	Radome: Fiberglass Base: Copper
Dimension (L*W*H) :	313*20 mm
Weight :	134g ±10 g



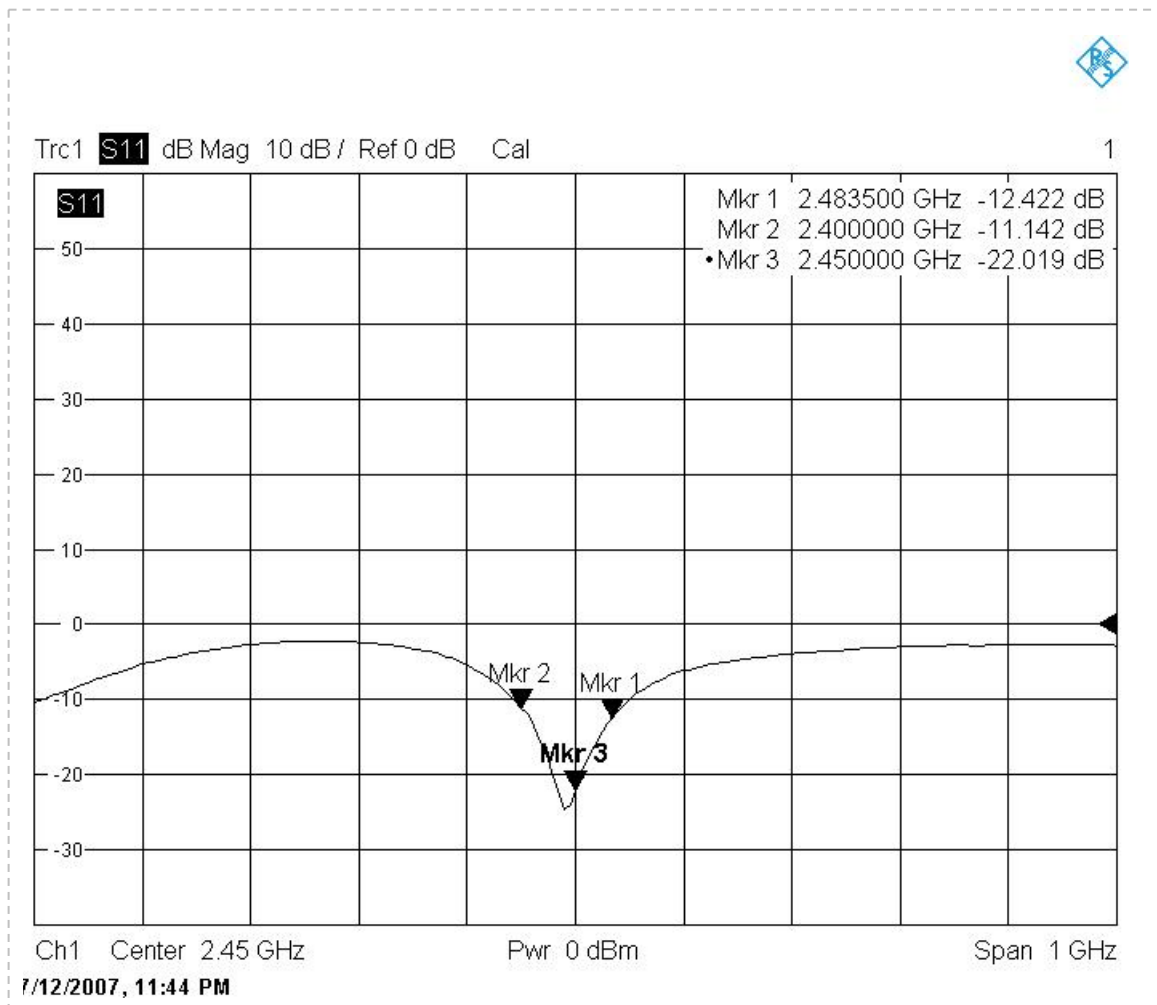
PRO-CELL CO., LTD.

3D Illustration





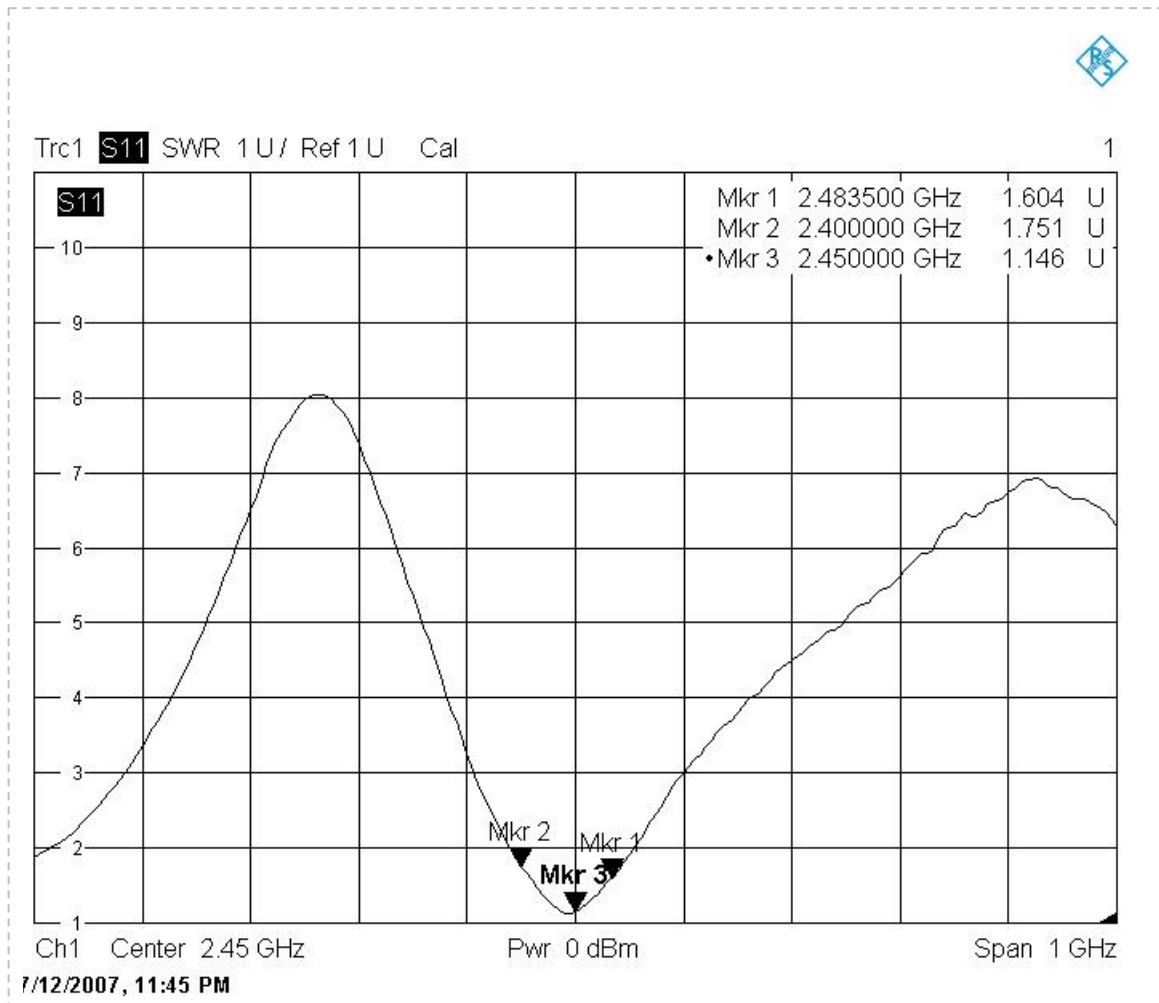
RETURN LOSS





PRO-CELL CO., LTD.

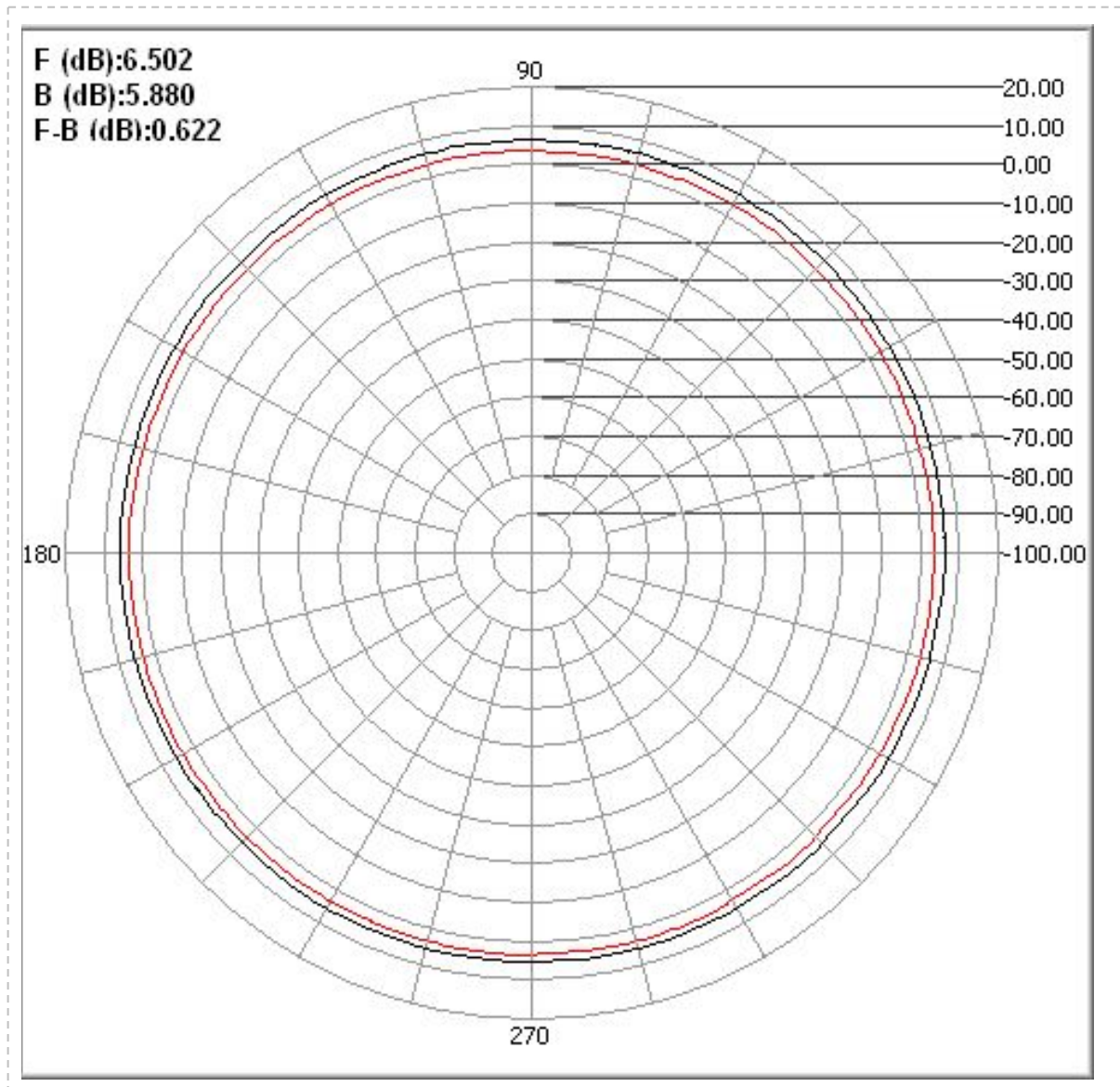
SWR





PRO-CELL CO., LTD.

H-PLANE





PRO-CELL CO., LTD.

E-PLANE

