



PRO-CELL CO., LTD.

SPECIFICATION FOR APPROVAL

Customer :

Model No.: OE-001

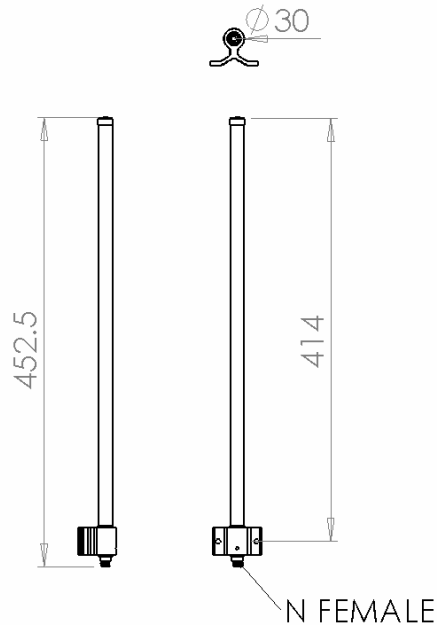
Description : 2.4~2.4835GHz OMNI ANTENNA

Date : 2001/01/08

Rev : 1



PRO-CELL CO., LTD.



Electrical Specifications:

Frequency Range :	2.4~2.4835GHz
VSWR :	≤ 2.0
Impedance :	50Ω ± 5Ω
Forward Gain :	7dBi
Polarization :	Vertical
Power Handling :	10 Watt
Beam Width :	H 360° / E 17.5°

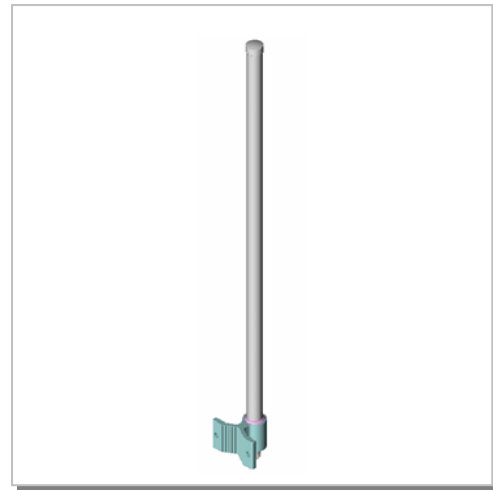
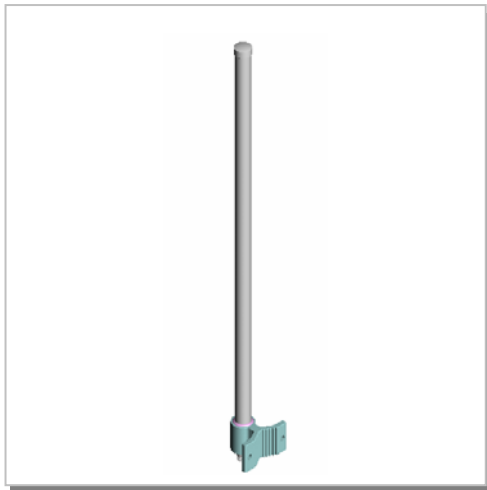
Mechanical Specifications:

Connector :	N Female
Operation Temp. :	-30°C ~+60°C
Material :	Radome: Fiberglass Base: Aluminum Alloy Mount: Aluminum
Dimension (L*W*H) :	Ø30*414 mm
Weight :	400g ±20g
Color :	White



PRO-CELL CO., LTD.

3D Illustration



PRO-CELL CO., LTD.

No.6, Lane 133, Sec.1, Guo-Ji Road, Ta-yuan Hsiang, Taoyuan, Taiwan. R.O.C.

Tel: +886-3-3858288

Fax: +886-3-3858289

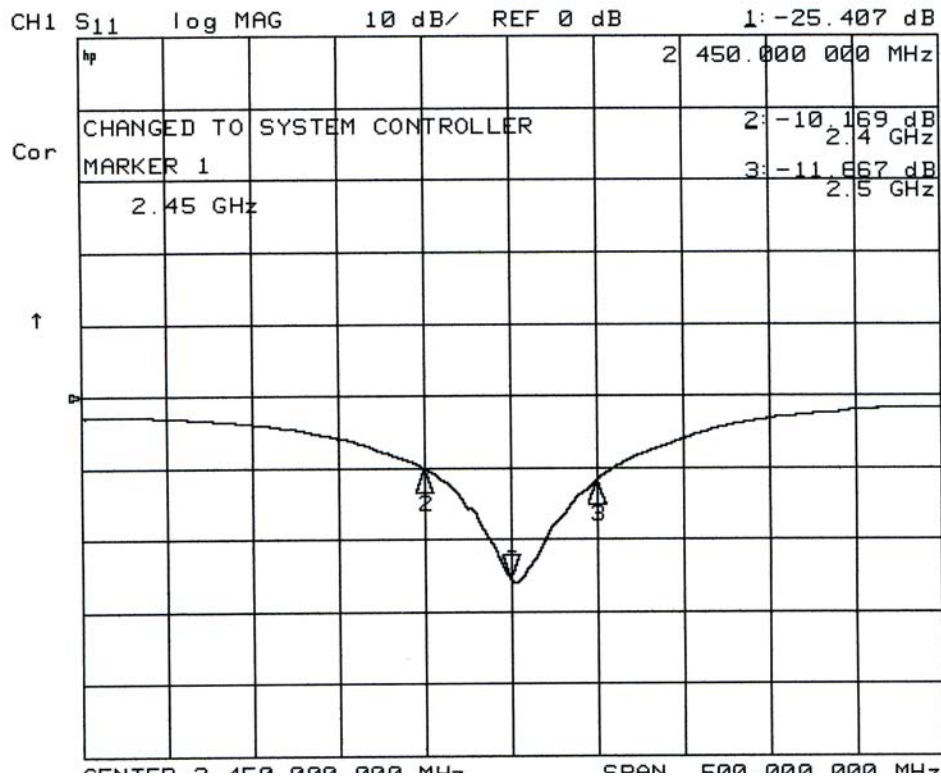
E-mail: sales@antenna.com.tw

<http://www.antenna.com.tw>



PRO-CELL CO., LTD.

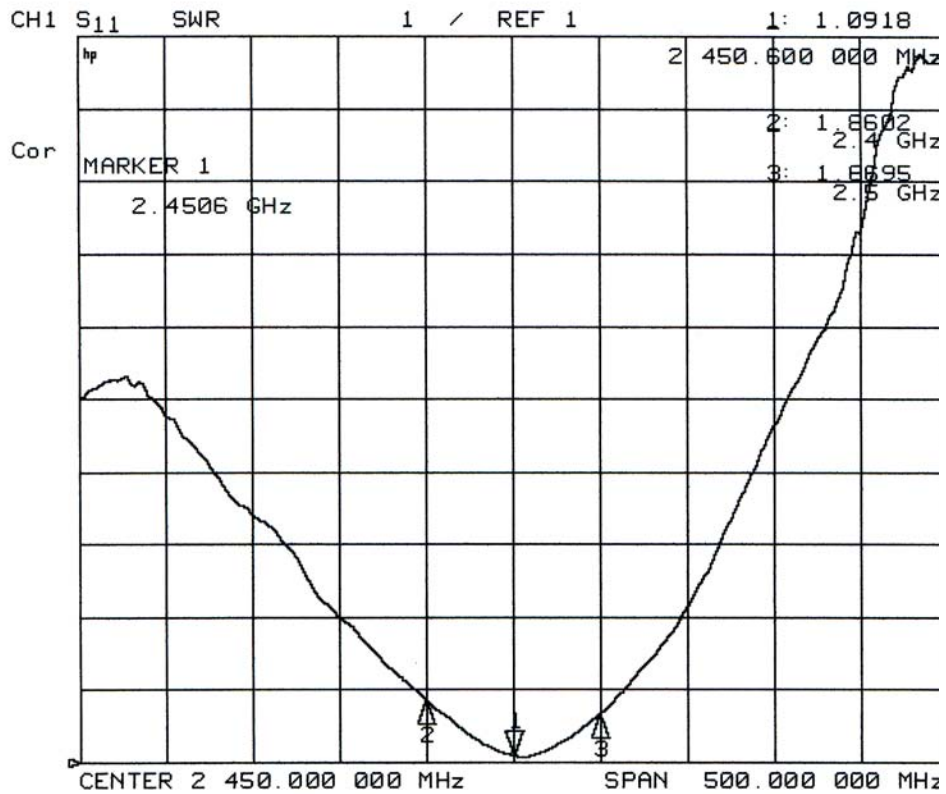
RETURN LOSS





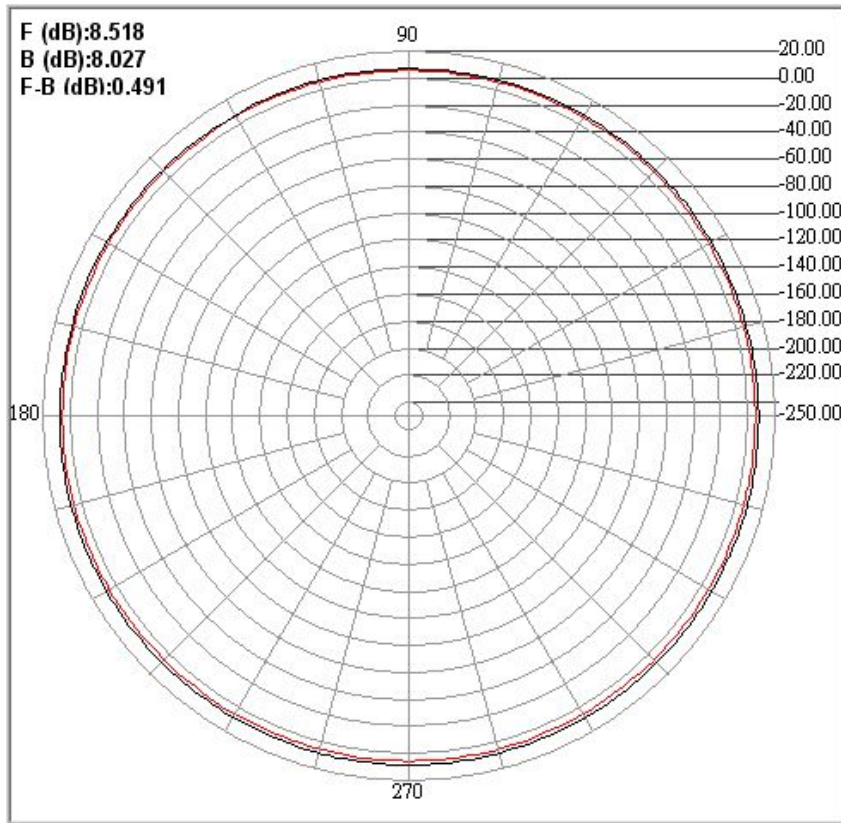
PRO-CELL CO., LTD.

SWR





H-PLANE





E-PLANE

