



PRO-CELL CO., LTD.

SPECIFICATION FOR APPROVAL

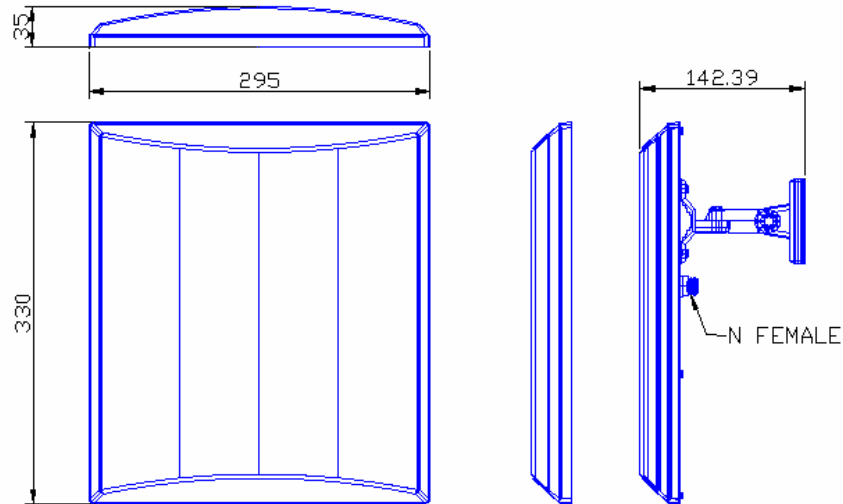
Customer :

Model No. : PA-L03

Description : 3.2 ~ 3.8GHz PANEL ANTENNA

Date : 2008/03/31

Rev : 2



Electrical Specifications:

Frequency Range :	3.2~ 3.8GHz
VSWR :	≤ 2.0
Impedance :	50Ω ± 5Ω
Gain :	18 dBi
Polarization :	Vertical
Power Handling :	10 Watt
Beam Width :	H: 17.3° / E: 20.1°

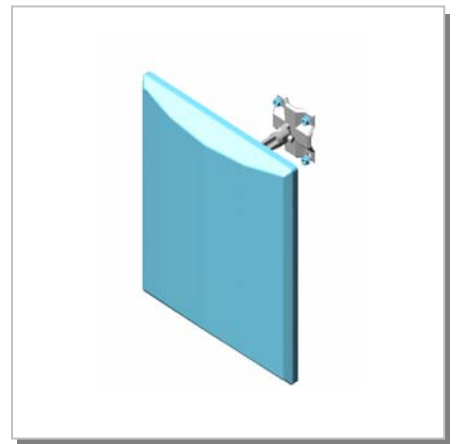
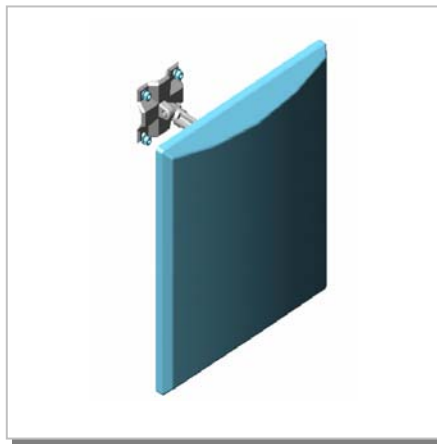
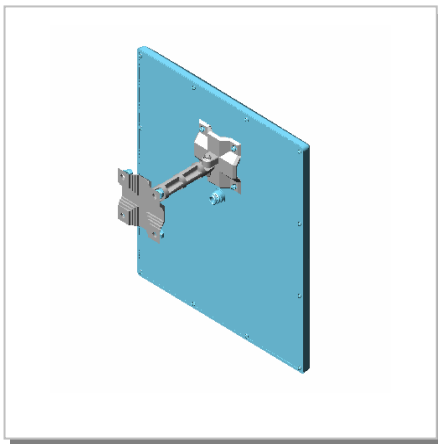
Mechanical Specifications:

Connector :	N Female
Operation Temp. :	-30°C ~ +60°C
Material :	Radome: ABS Mount: Zinc Alloy
Dimension (L*W*H) :	330*295*35 mm
Weight :	1344g ± 20g (w/ mount)
Color :	White



PRO-CELL CO., LTD.

3D Illustration



PRO-CELL CO., LTD.

No.6, Lane 133, Sec.1, Guo-Ji Road, Ta-yuan Hsiang, Taoyuan, Taiwan. R.O.C.

Tel: 886-3-3858288

Fax: 886-3-3858289

E-mail: sales@antenna.com.tw

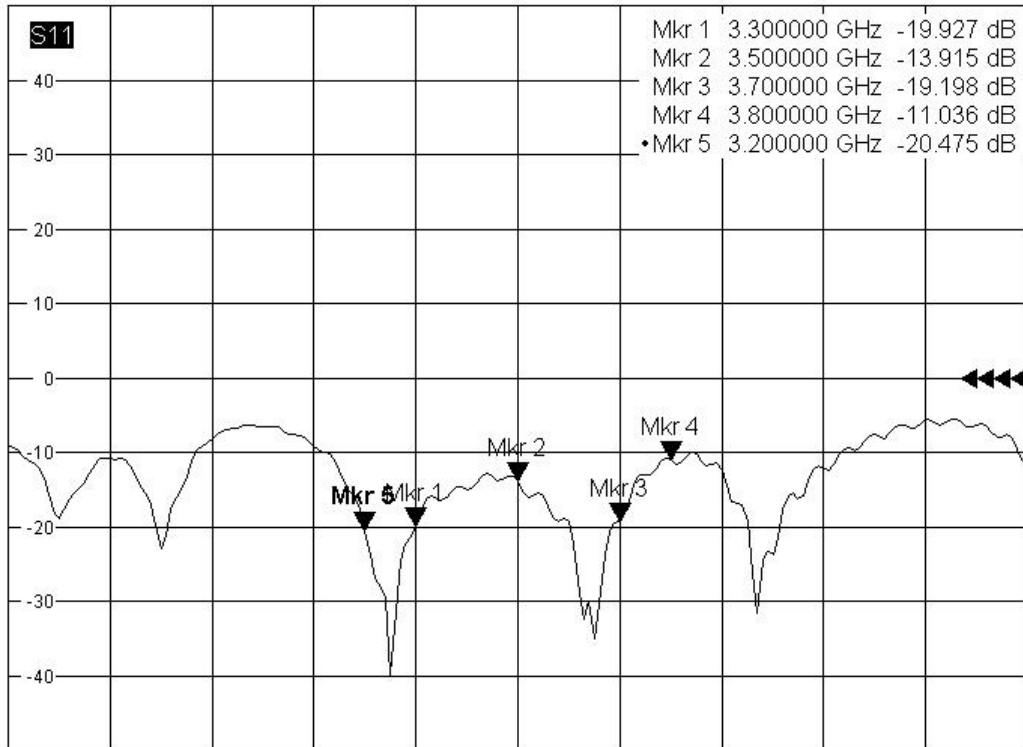
<http://www.antenna.com.tw>



PRO-CELL CO., LTD.

RETURN LOSS

Trc1 S11 dB Mag 10 dB / Ref 0 dB Cal
Trc2 S21 dB Mag 10 dB / Ref -70 dB Invisible
Mem3[Trc2] S21 dB Mag 10 dB / Ref -70 dB Invisible
Mem4[Trc1] S11 dB Mag 10 dB / Ref 0 dB Invisible



Ch1 Center 3.5 GHz Pwr 0 dBm Span 2 GHz

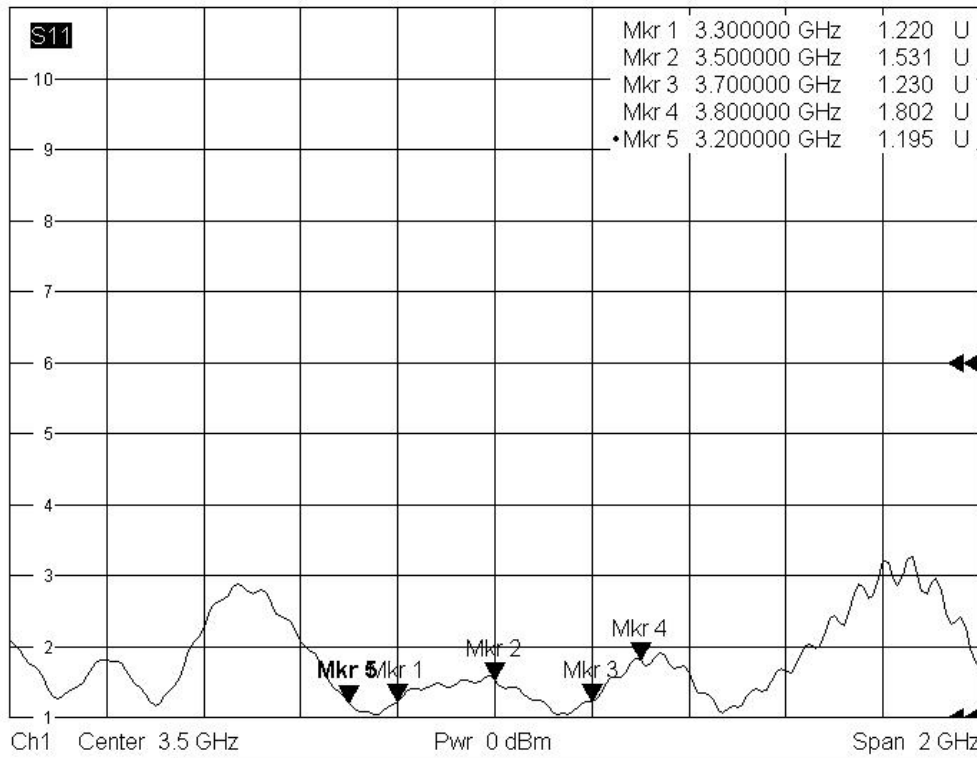
3/29/2008, 3:41 PM



PRO-CELL CO., LTD.

SWR

Trc1 S11 SWR 1 U / Ref 1 U Cal
 Trc2 S21 dB Mag 10 dB / Ref -70 dB Invisible
 Mem3[Trc2] S21 dB Mag 10 dB / Ref -70 dB Invisible
 Mem4[Trc1] S11 SWR 1 U / Ref 1 U Invisible

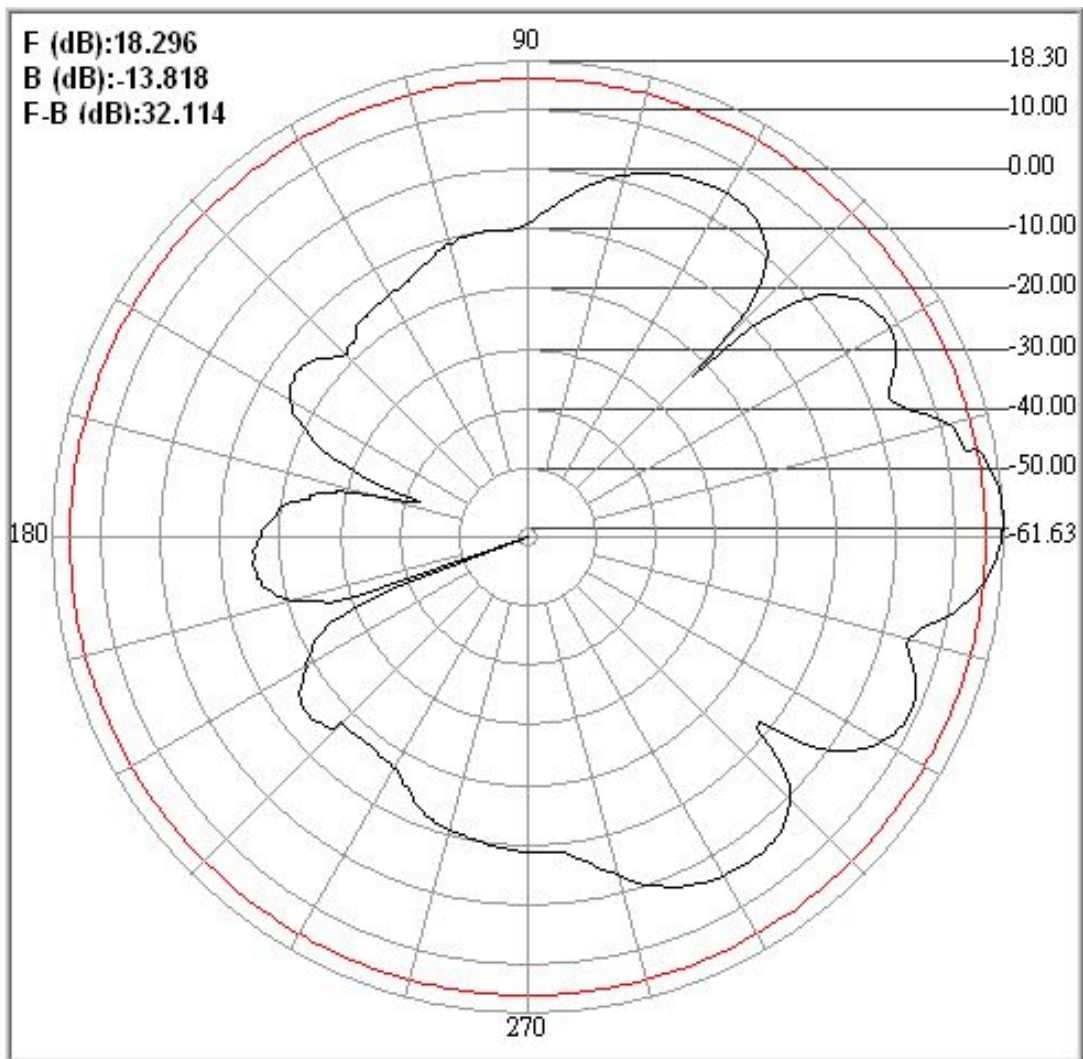


3/29/2008, 3:42 PM



PRO-CELL CO., LTD.

H-PLANE



PRO-CELL CO., LTD.

No.6, Lane 133, Sec.1, Guo-Ji Road, Ta-yuan Hsiang, Taoyuan, Taiwan. R.O.C.
Tel: 886-3-3858288 Fax: 886-3-3858289
E-mail: sales@antenna.com.tw <http://www.antenna.com.tw>



PRO-CELL CO., LTD.

E-PLANE

