



PRO-CELL CO., LTD.

SPECIFICATION FOR APPROVAL

Customer :

Model No. : PA-M01-01

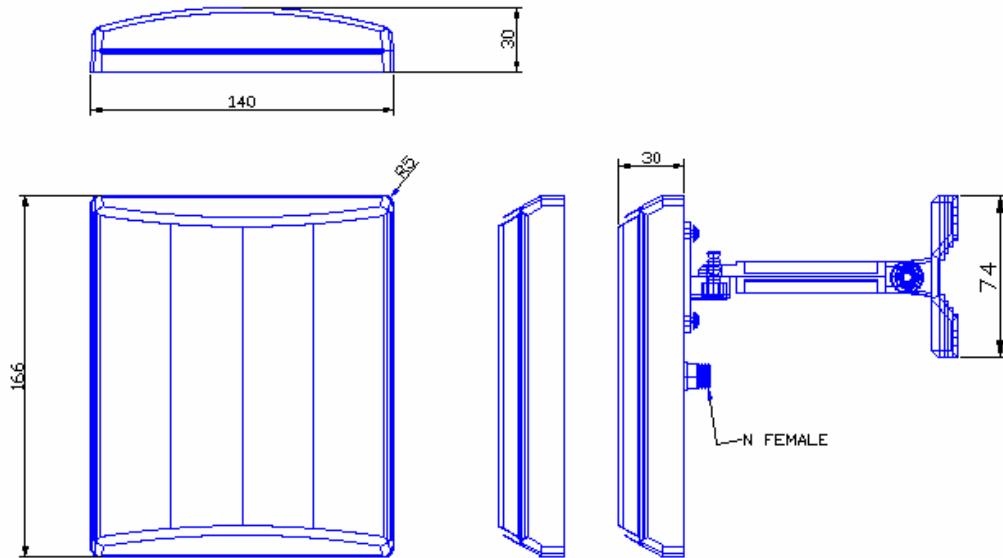
Description : 2.2 ~ 2.4GHz PANEL ANTENNA

Date : 2007/01/30

Rev : 1



PRO-CELL CO., LTD.



Electrical Specifications:

| | |
|-------------------|-------------------------------|
| Frequency Range : | 2.2~ 2.4GHz |
| VSWR : | ≤ 2.0 |
| Impedance : | $50\Omega \pm 5\Omega$ |
| Gain : | 10 dBi |
| Polarization : | Vertical |
| Power Handling : | 10 Watt |
| Beam Width : | H: 60° / E: 52° |

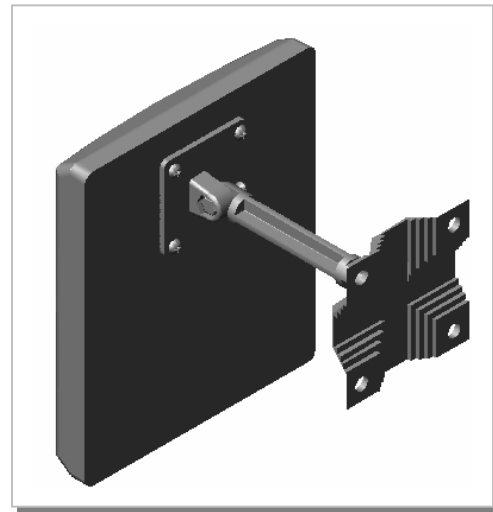
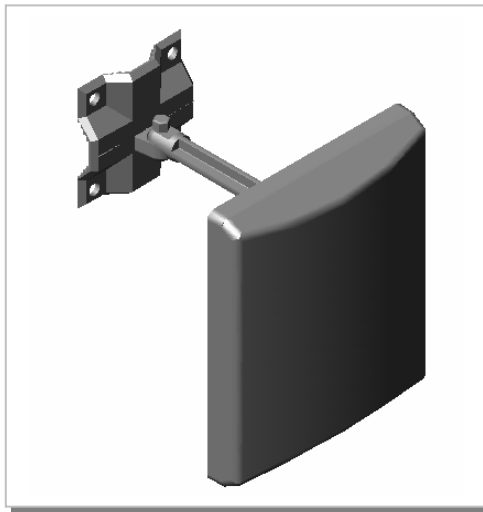
Mechanical Specifications:

| | |
|---------------------|--|
| Connector : | N Female |
| Operation Temp. : | $-30^\circ\text{C} \sim +60^\circ\text{C}$ |
| Material : | Radome: ABS Mount: Zinc Alloy |
| Dimension (L*W*H) : | 166*140*30 mm |
| Weight : | $370\text{g} \pm 20\text{g}$ (w/ mount) |
| Color : | White |



PRO-CELL CO., LTD.

3D Illustration



PRO-CELL CO., LTD.

No.6, Lane 133, Sec.1, Guo-Ji Road, Ta-yuan Hsiang, Taoyuan, Taiwan. R.O.C.

Tel: 886-3-3858288

Fax: 886-3-3858289

E-mail: sales@antenna.com.tw

<http://www.antenna.com.tw>

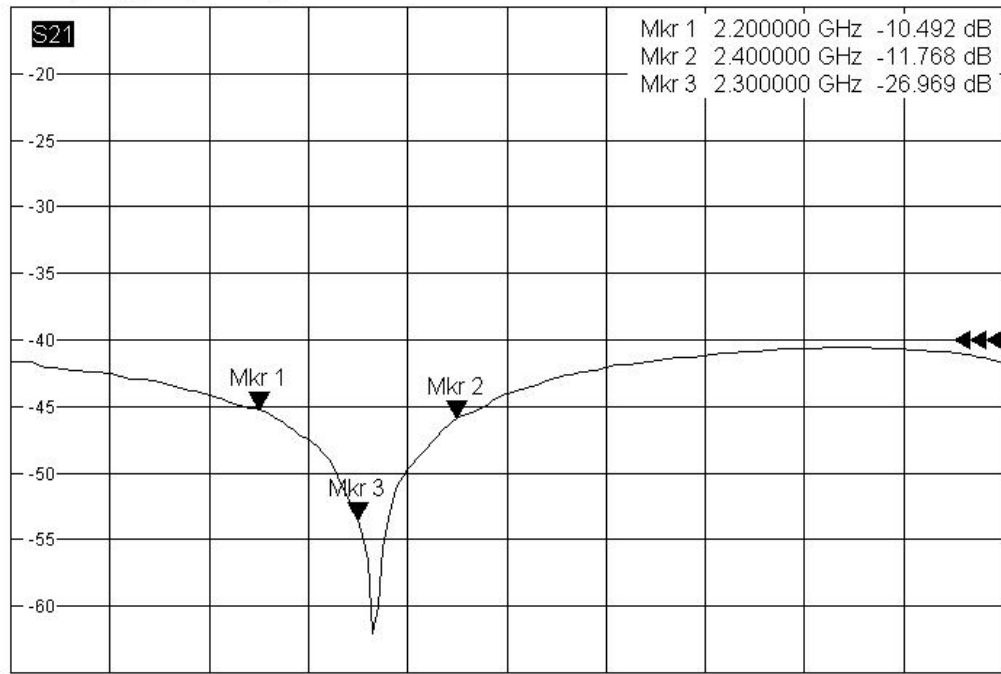


PRO-CELL CO., LTD.

RETURN LOSS

Trc2 S11 dB Mag 10 dB / Ref 0 dB Cal
Trc3 S21 dB Mag 5 dB / Ref -40 dB Invisible
Mem4[Trc3] S21 dB Mag 5 dB / Ref -40 dB Invisible

1 of 1 (Max)



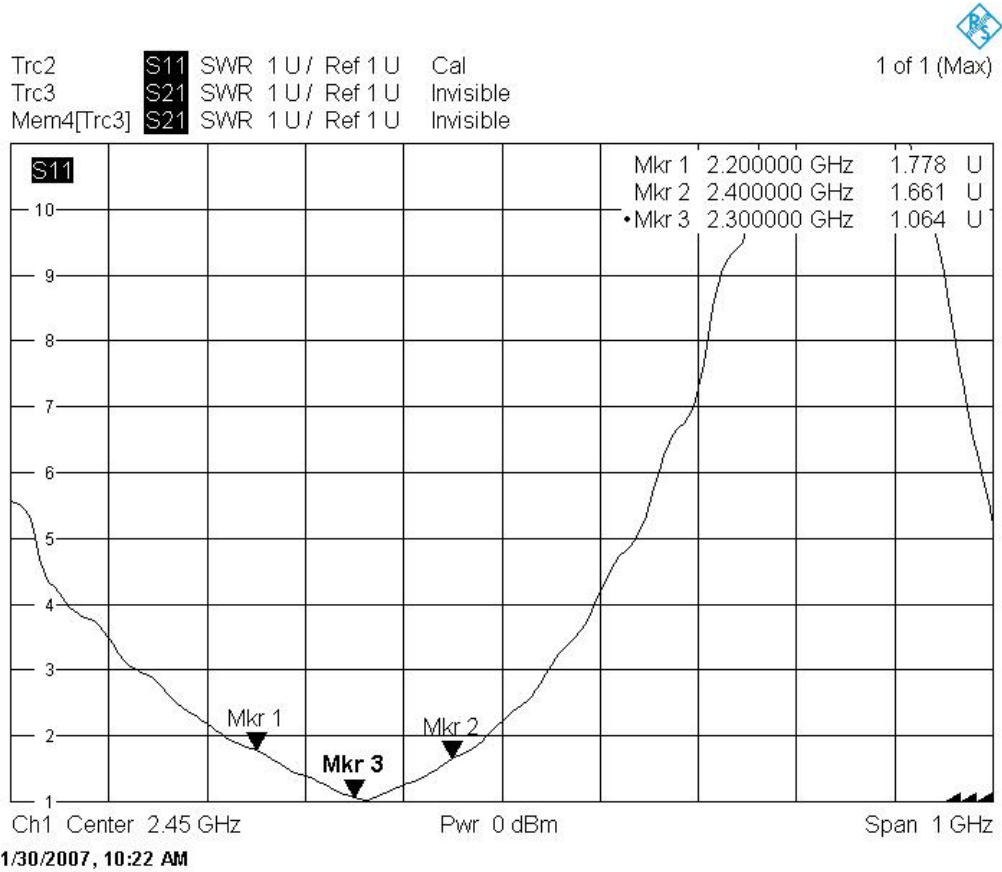
Ch1 Center 2.45 GHz Pwr 0 dBm Span 1 GHz

1/30/2007, 10:21 AM



PRO-CELL CO., LTD.

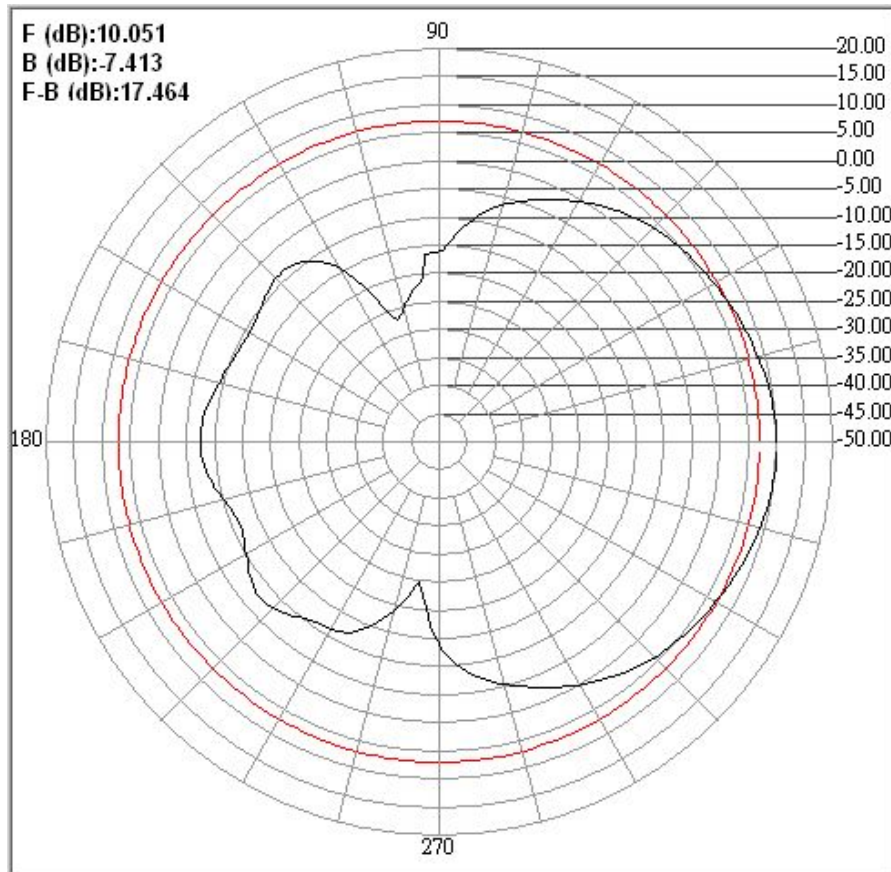
SWR





PRO-CELL CO., LTD.

H-PLANE



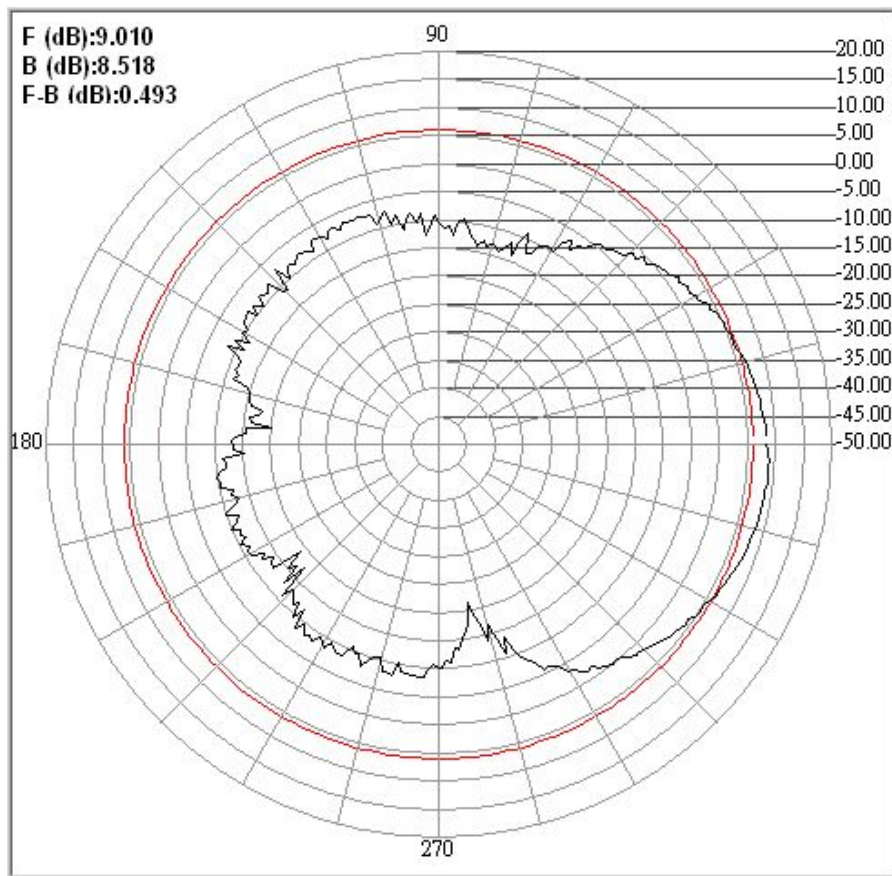
PRO-CELL CO., LTD.

No.6, Lane 133, Sec.1, Guo-Ji Road, Ta-yuan Hsiang, Taoyuan, Taiwan. R.O.C.
Tel: 886-3-3858288 Fax: 886-3-3858289
E-mail: sales@antenna.com.tw <http://www.antenna.com.tw>



PRO-CELL CO., LTD.

E-PLANE



PRO-CELL CO., LTD.

No.6, Lane 133, Sec.1, Guo-Ji Road, Ta-yuan Hsiang, Taoyuan, Taiwan. R.O.C.
Tel: 886-3-3858288 Fax: 886-3-3858289
E-mail: sales@antenna.com.tw <http://www.antenna.com.tw>