



PRO-CELL CO., LTD.

SPECIFICATION FOR APPROVAL

Customer :

Model No. : PA-M02

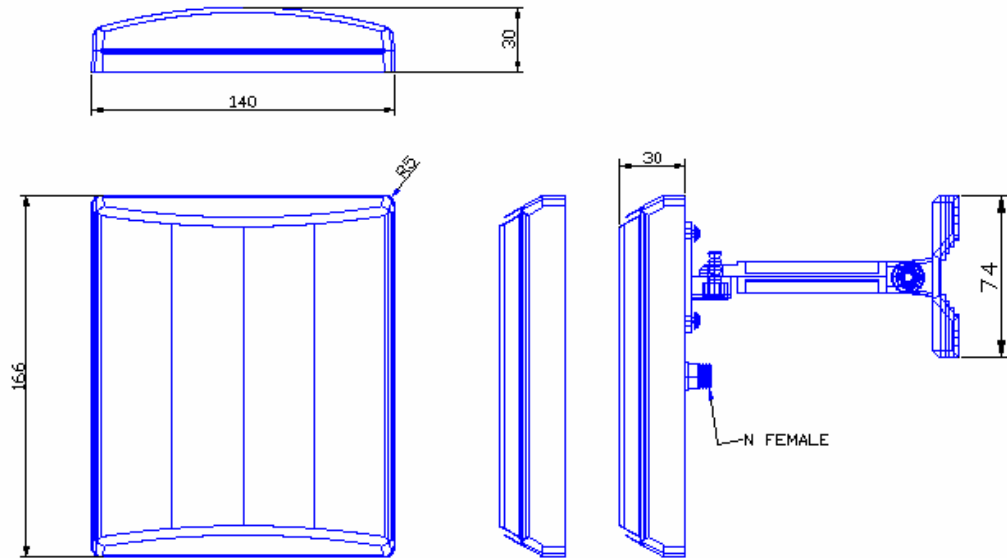
Description : 5.1 ~ 5.835GHz PANEL ANTENNA

Date : 2006/10/31

Rev : 1



PRO-CELL CO., LTD.



Electrical Specifications:

Frequency Range :	5.1~ 5.835GHz
VSWR :	≤ 2.0
Impedance :	$50\Omega \pm 5\Omega$
Gain :	14 dBi
Polarization :	Vertical
Power Handling :	10 Watt
Beam Width :	H: 28.4° / E: 31.2°

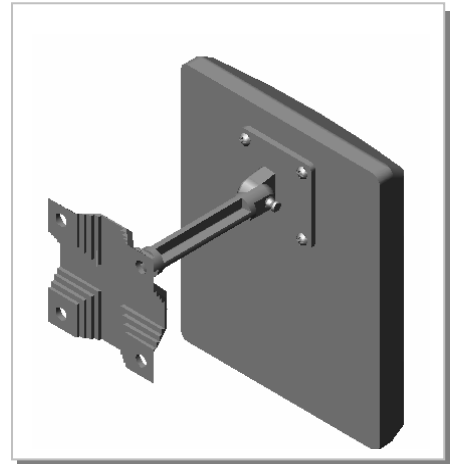
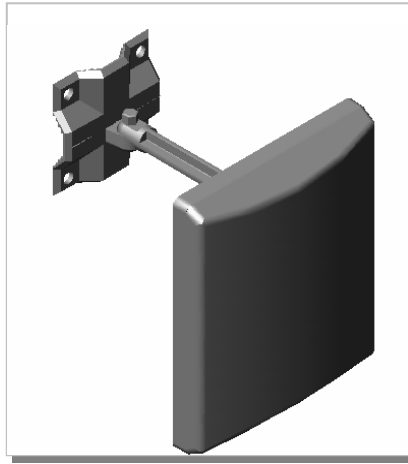
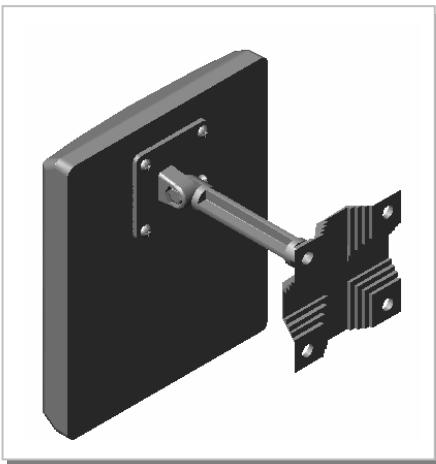
Mechanical Specifications:

Connector :	N Female
Operation Temp. :	$-30^\circ\text{C} \sim +60^\circ\text{C}$
Material :	Radome: ABS Mount: Zinc Alloy
Dimension (L*W*H) :	166*140*30 mm
Weight :	$370\text{g} \pm 20\text{g}$ (w/ mount)
Color :	White



PRO-CELL CO., LTD.

3D Illustration



PRO-CELL CO., LTD.

No.6, Lane 133, Sec.1, Guo-Ji Road, Ta-yuan Hsiang, Taoyuan, Taiwan. R.O.C.

Tel: 886-3-3858288

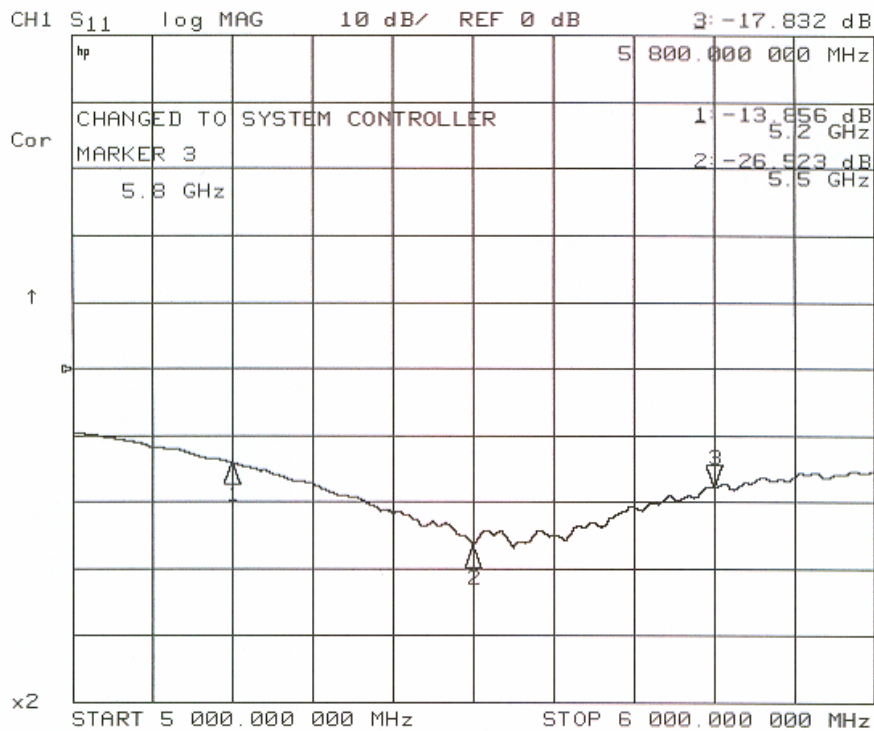
Fax: 886-3-3858289

E-mail: sales@antenna.com.tw

<http://www.antenna.com.tw>



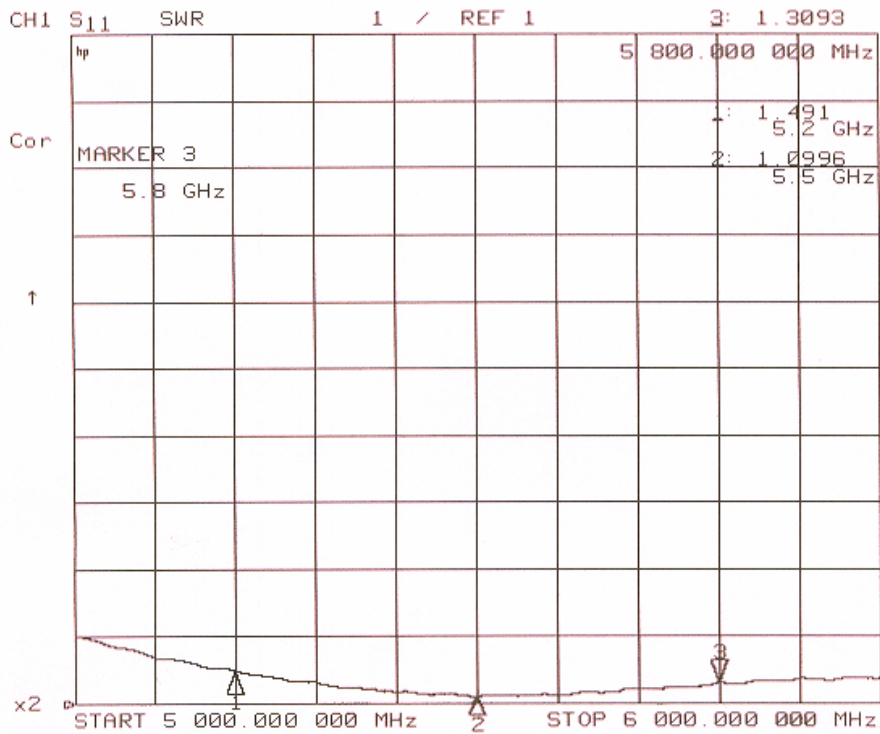
RETURN LOSS





PRO-CELL CO., LTD.

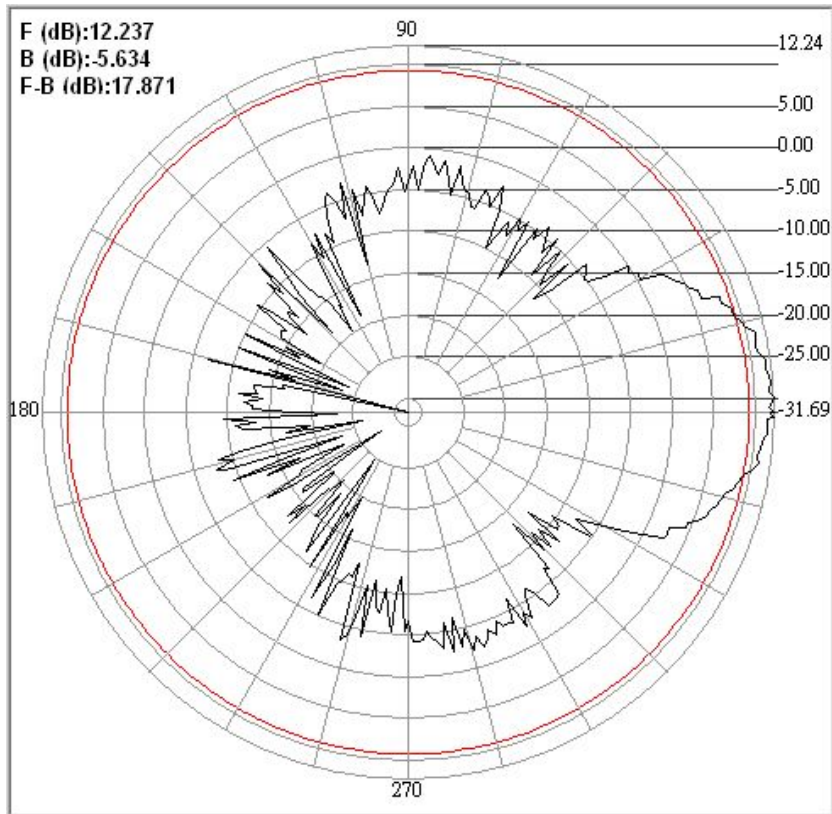
SWR





PRO-CELL CO., LTD.

H-PLANE



PRO-CELL CO., LTD.

No.6, Lane 133, Sec.1, Guo-Ji Road, Ta-yuan Hsiang, Taoyuan, Taiwan. R.O.C.

Tel: 886-3-3858288

Fax: 886-3-3858289

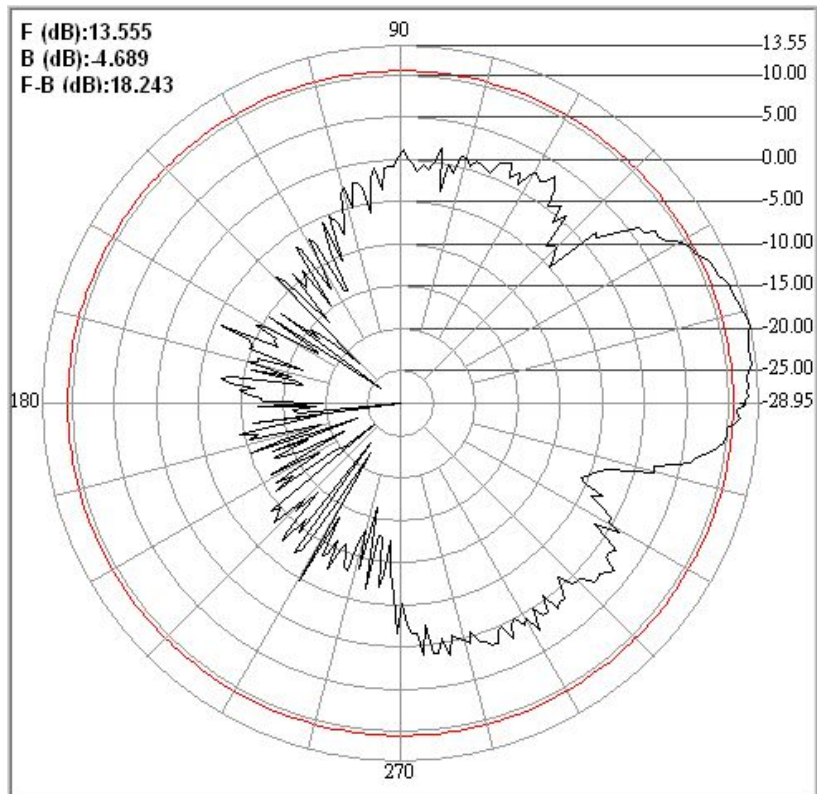
E-mail: sales@antenna.com.tw

<http://www.antenna.com.tw>



PRO-CELL CO., LTD.

E-PLANE



PRO-CELL CO., LTD.

No.6, Lane 133, Sec.1, Guo-Ji Road, Ta-yuan Hsiang, Taoyuan, Taiwan. R.O.C.

Tel: 886-3-3858288

Fax: 886-3-3858289

E-mail: sales@antenna.com.tw

<http://www.antenna.com.tw>