



**PRO-CELL CO., LTD.**

---

---

# **SPECIFICATION FOR APPROVAL**

**Customer :**

**Model No. :** PA-N01

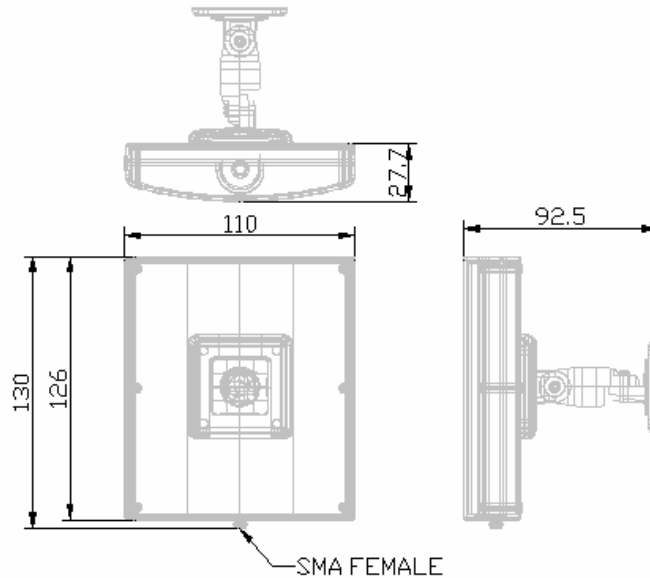
**Description :** 2.4~2.4835GHz PANEL ANTENNA

**Date :** 2006/11/16

**Rev :** 1



# PRO-CELL CO., LTD.



## Electrical Specifications:

Frequency Range :	2.4~ 2.4835GHz
VSWR :	≤ 2.0
Impedance :	50Ω ± 5Ω
Gain :	10 dBi
Polarization :	Vertical
Power Handling :	10 Watt
Beam Width :	H: 61.6° / E: 58.5°

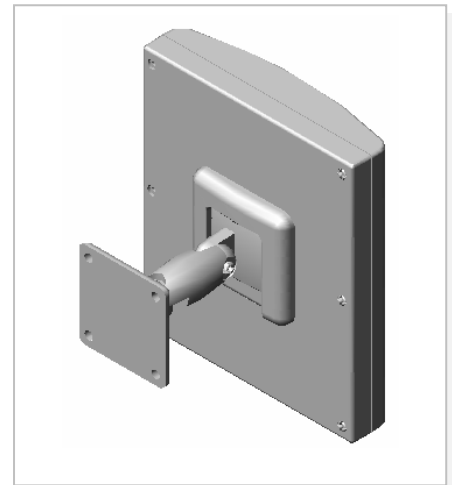
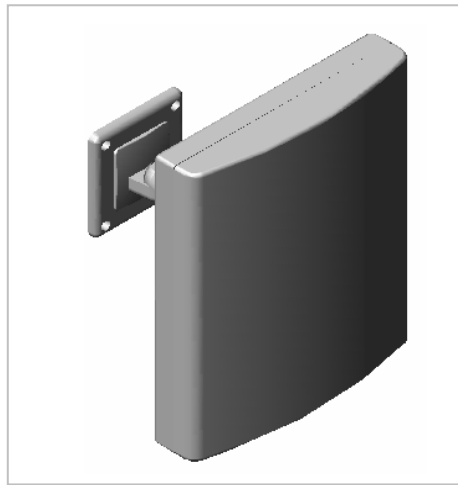
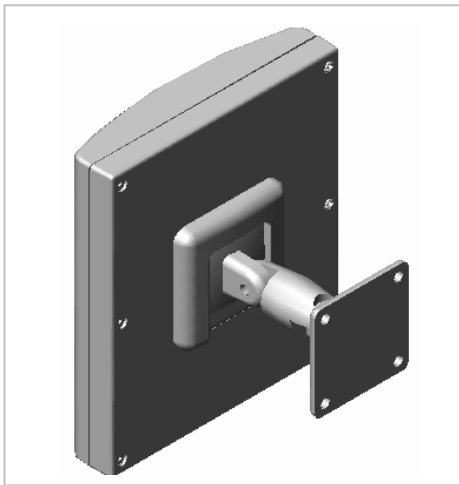
## Mechanical Specifications:

Connector :	SMA Female
Operation Temp. :	-30°C ~ +60°C
Material :	Radome: ABS Mount: ABS
Dimension (L*W*H) :	130*110*27.7 mm
Weight :	135g ± 10g (w/ mount)
Color :	COOL GRAY 1C



**PRO-CELL CO., LTD.**

**3D Illustration**



**PRO-CELL CO., LTD.**

No.6, Lane 133, Sec.1, Guo-Ji Road, Ta-yuan Hsiang, Taoyuan, Taiwan. R.O.C.

Tel: 886-3-3858288

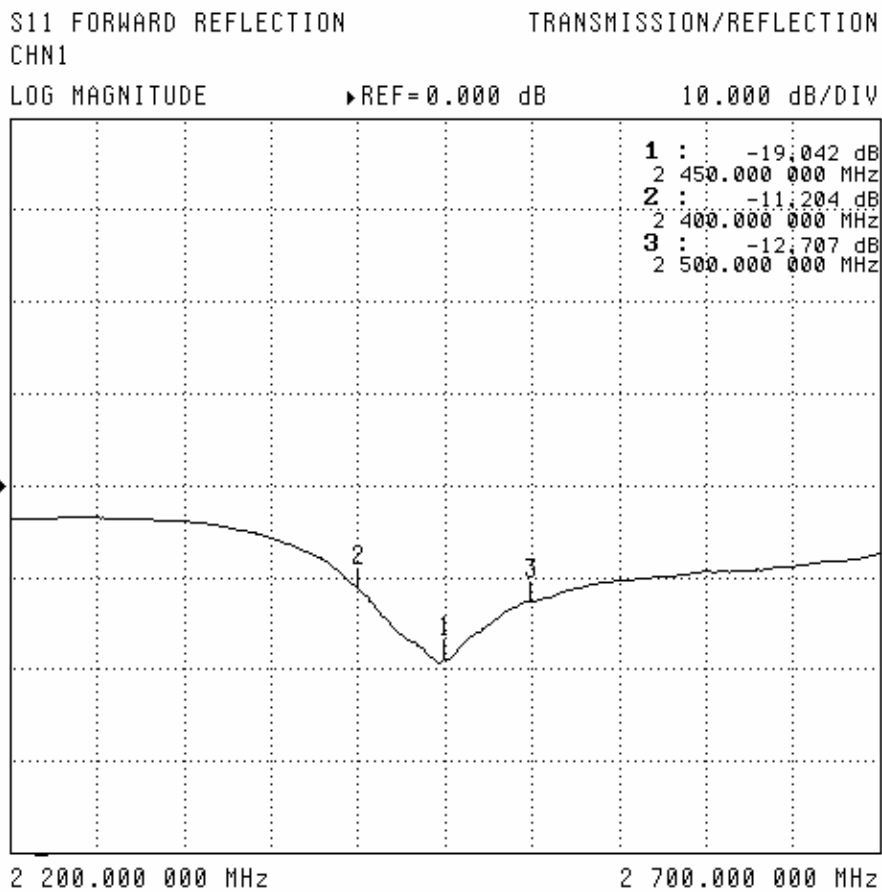
Fax: 886-3-3858289

E-mail: [sales@antenna.com.tw](mailto:sales@antenna.com.tw)

<http://www.antenna.com.tw>



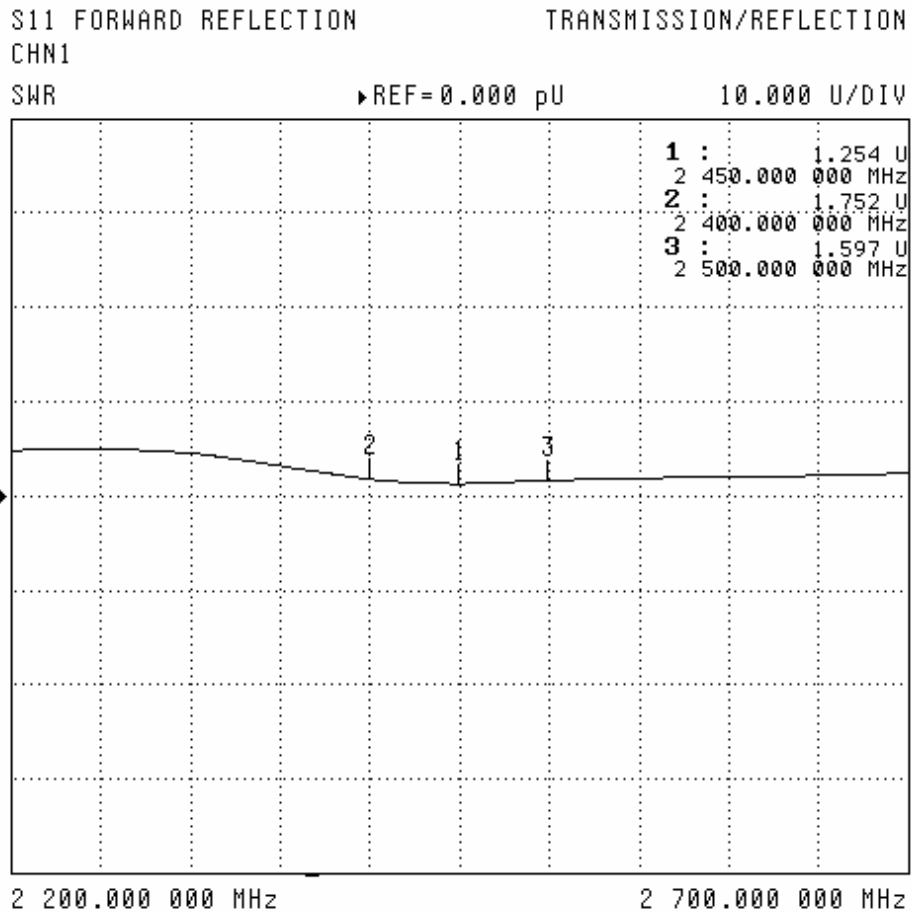
**RETURN LOSS**





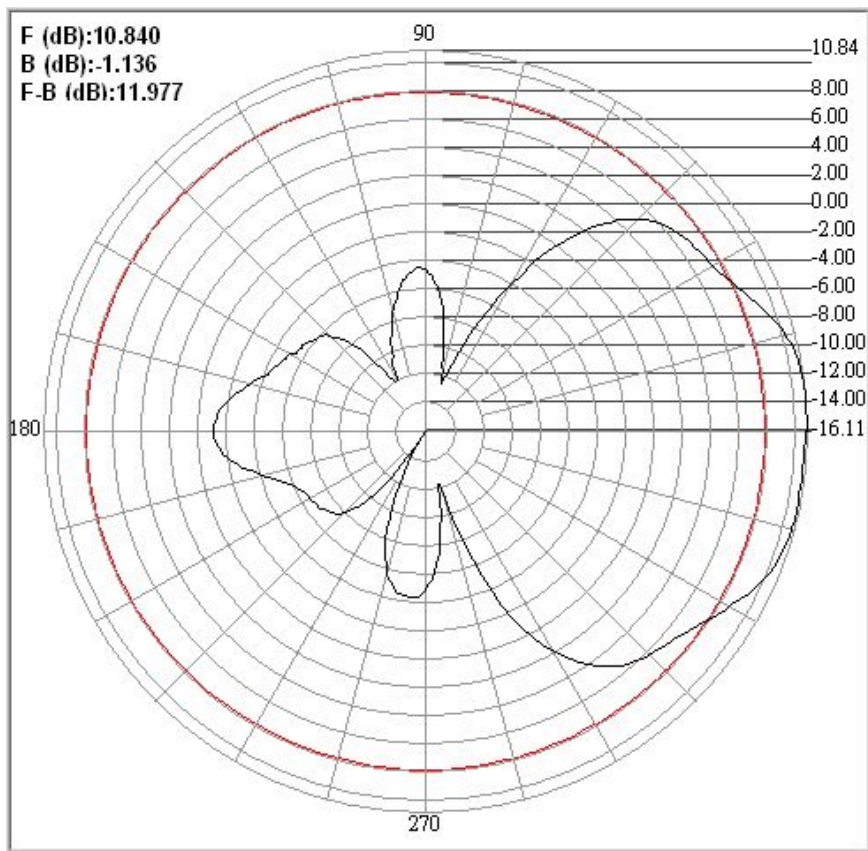
# PRO-CELL CO., LTD.

## SWR





**H-PLANE**





**PRO-CELL CO., LTD.**

**E-PLANE**

