



**PRO-CELL CO., LTD.**

---

---

# **SPECIFICATION FOR APPROVAL**

**Customer :**

**Model No. :** PA-N08

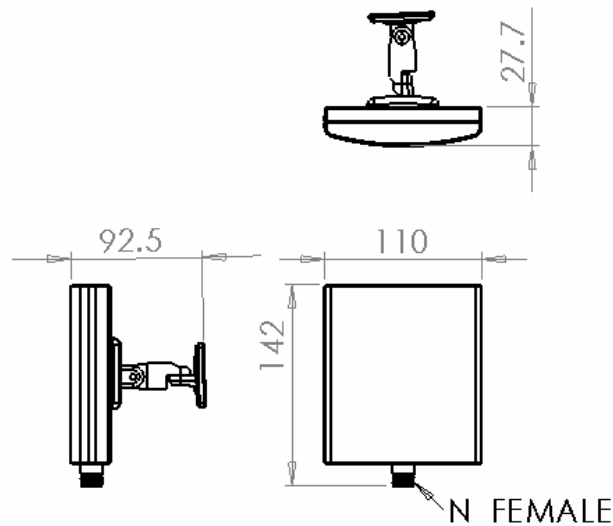
**Description :** 2.4~2.4835 GHz PANEL ANTENNA

**Date :** 2007/02/01

**Rev :** 1



# PRO-CELL CO., LTD.



## Electrical Specifications:

Frequency Range :	2.4~ 2.4835 GHz
VSWR :	$\leq 2.0$
Impedance :	$50\Omega \pm 5\Omega$
Gain :	10 dBi
Polarization :	Vertical
Power Handling :	10 Watt
Beam Width :	H: $61.6^\circ$ / E: $58.5^\circ$

## Mechanical Specifications:

Connector :	N Female
Operation Temp. :	$-30^\circ\text{C} \sim +60^\circ\text{C}$
Material :	Radome: ABS Mount: ABS
Dimension (L*W*H) :	142*110*27.7 mm
Weight :	$135\text{g} \pm 10\text{g}$ (w/ mount)
Color :	COOL GRAY 1C



**PRO-CELL CO., LTD.**

**3D Illustration**



**PRO-CELL CO., LTD.**

No.6, Lane 133, Sec.1, Guo-Ji Road, Ta-yuan Hsiang, Taoyuan, Taiwan. R.O.C.

Tel: 886-3-3858288

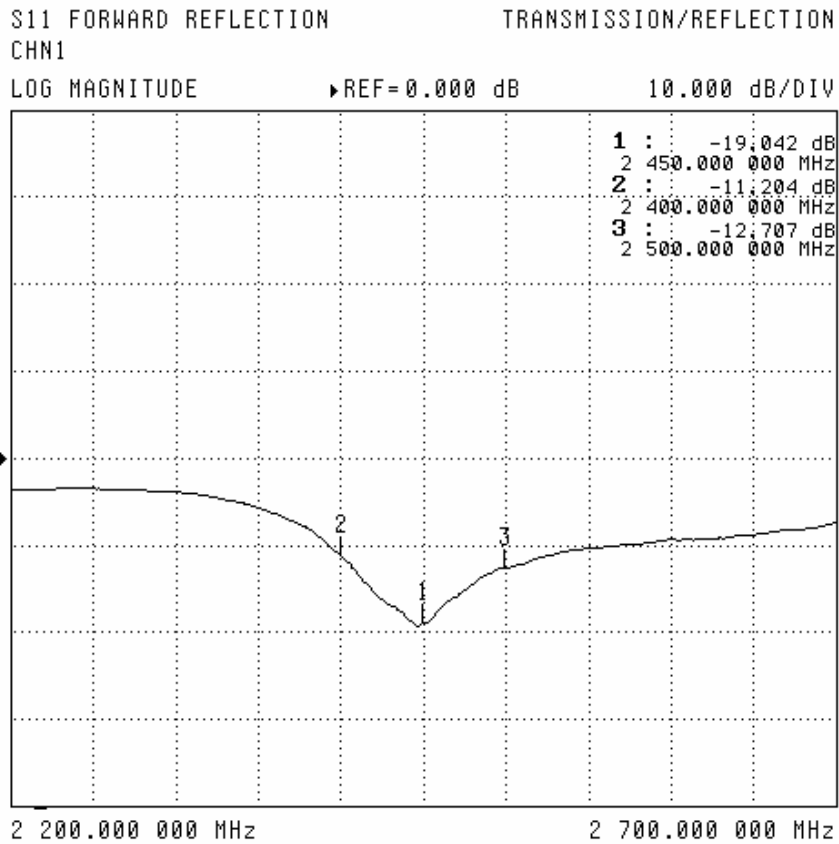
Fax: 886-3-3858289

E-mail: [sales@antenna.com.tw](mailto:sales@antenna.com.tw)

<http://www.antenna.com.tw>



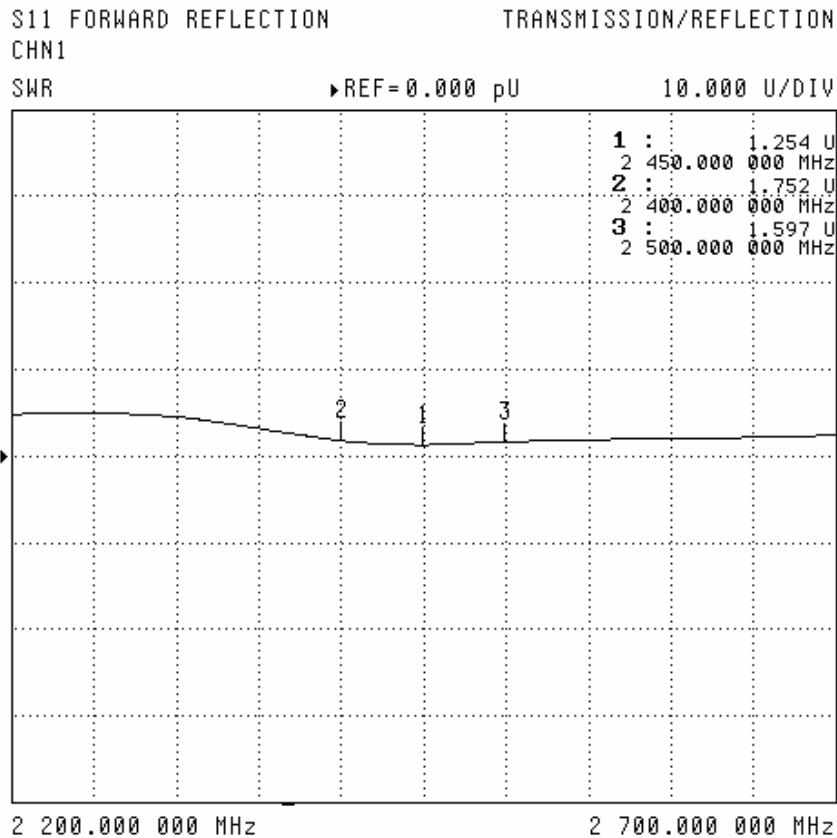
**RETURN LOSS**





# PRO-CELL CO., LTD.

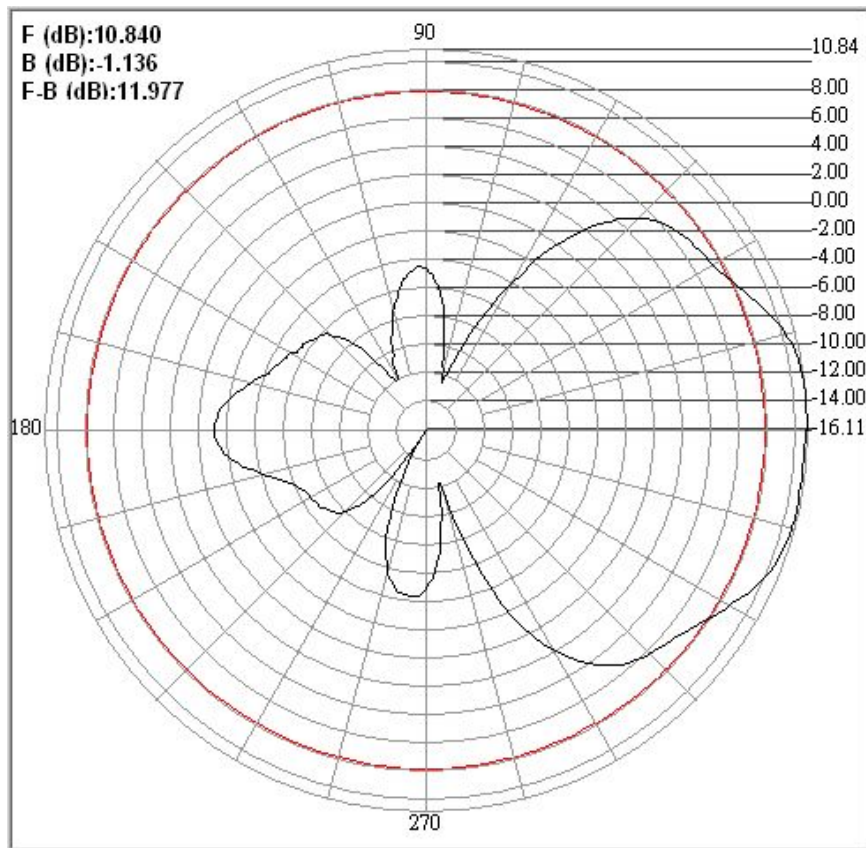
## SWR





**PRO-CELL CO., LTD.**

**H-PLANE**



**PRO-CELL CO., LTD.**

No.6, Lane 133, Sec.1, Guo-Ji Road, Ta-yuan Hsiang, Taoyuan, Taiwan. R.O.C.  
Tel: 886-3-3858288 Fax: 886-3-3858289  
E-mail: [sales@antenna.com.tw](mailto:sales@antenna.com.tw) <http://www.antenna.com.tw>



**PRO-CELL CO., LTD.**

**E-PLANE**

