



PRO-CELL CO., LTD.

SPECIFICATION FOR APPROVAL

Customer :

Model No. : PA-S02

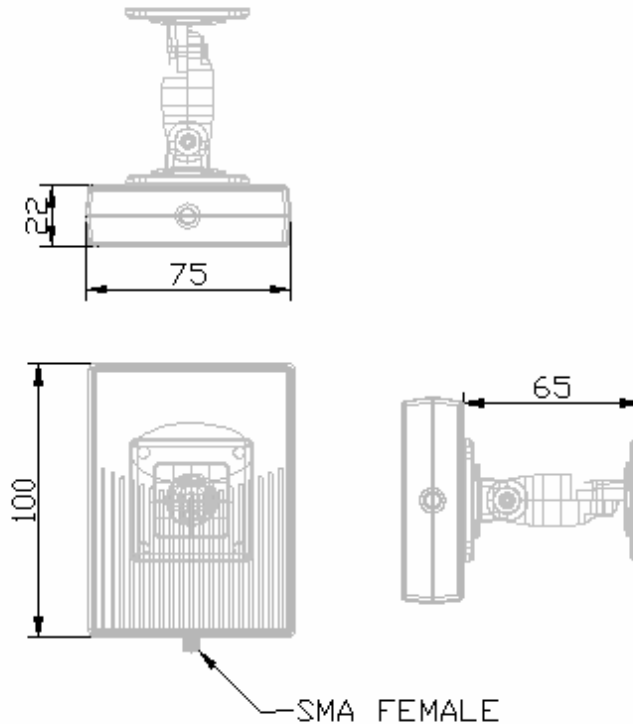
Description : 2.4~2.4835GHz PANEL ANTENNA

Date : 2006/11/07

Rev : 1



PRO-CELL CO., LTD.



Electrical Specifications:

Frequency Range :	2.4~2.4835GHz
VSWR :	≤ 2.0
Impedance :	$50\Omega \pm 5\Omega$
Gain :	8 dBi
Polarization :	Vertical
Power Handling :	10 Watt
Beam Width :	H: 103.7° / E: 71.3°

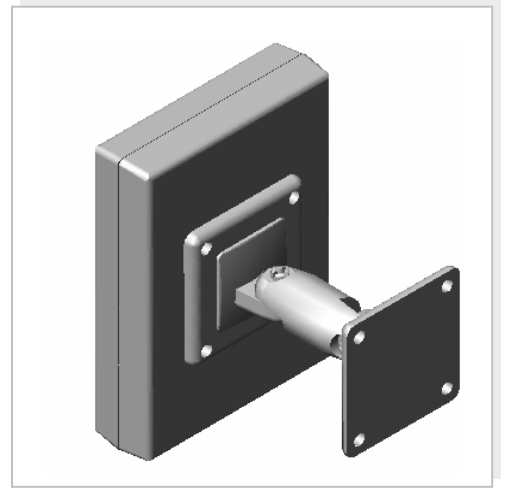
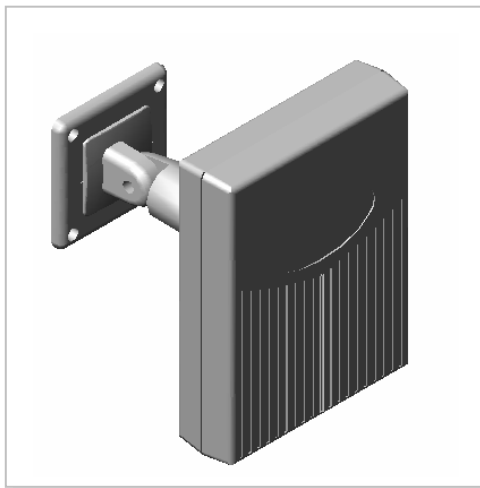
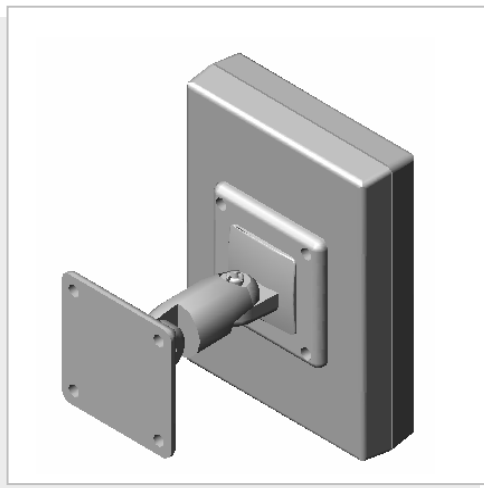
Mechanical Specifications:

Connector :	SMA Female
Operation Temp. :	$-30^\circ\text{C} \sim +60^\circ\text{C}$
Material :	Radome: ABS Mount: ABS
Dimension (L*W*H) :	100*75*22 mm
Weight :	$110\text{g} \pm 10\text{g}$ (w/ mount)
Color :	WHITE



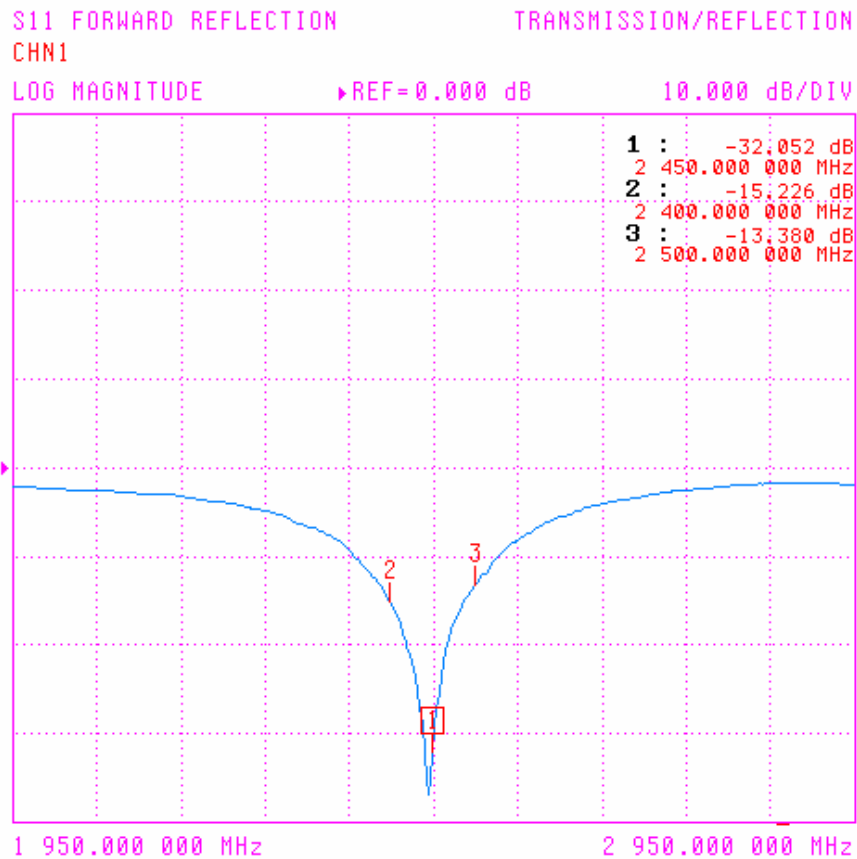
PRO-CELL CO., LTD.

3D Illustration





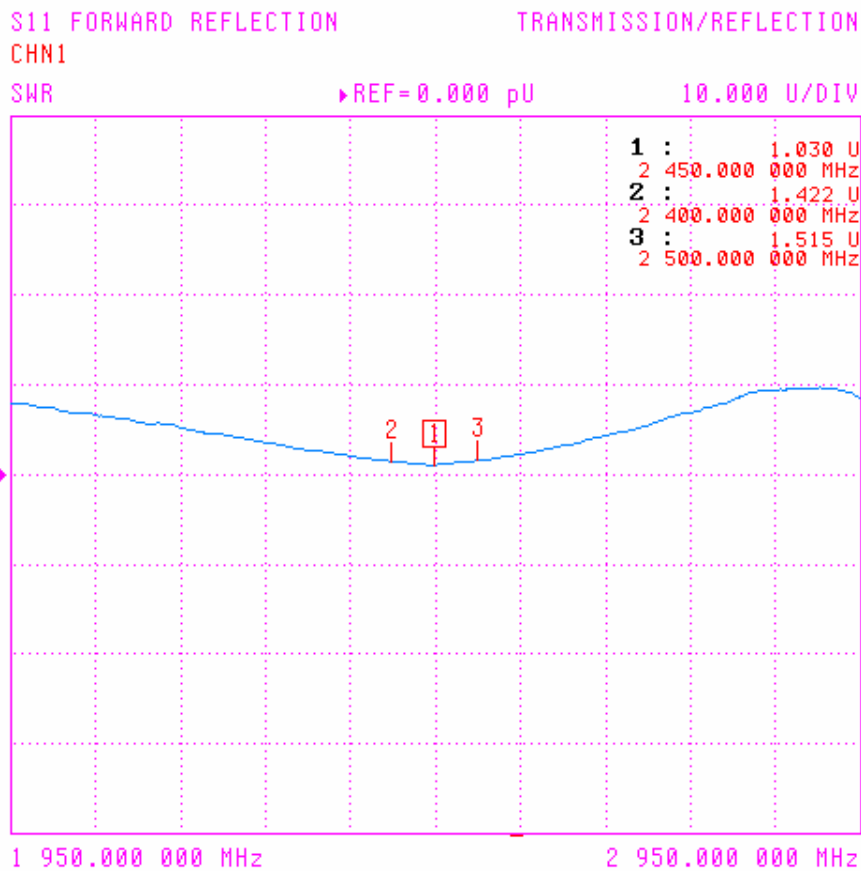
RETURN LOSS





PRO-CELL CO., LTD.

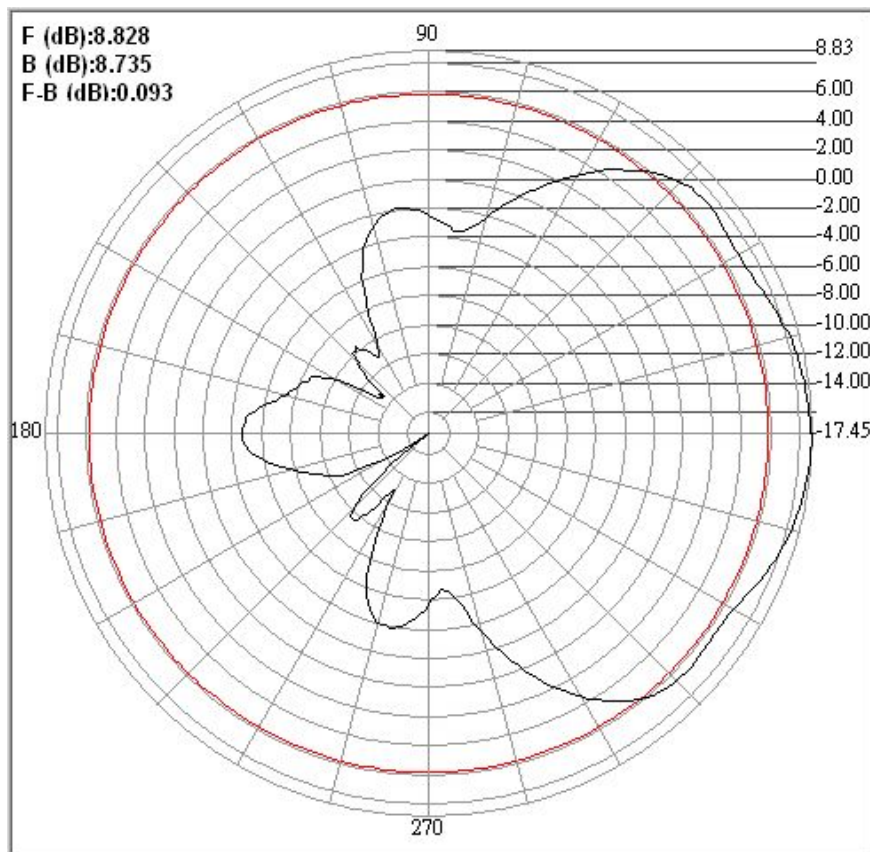
SWR





PRO-CELL CO., LTD.

H-PLANE





PRO-CELL CO., LTD.

E-PLANE

