



PRO-CELL CO., LTD.

SPECIFICATION FOR APPROVAL

Customer :

Model No. : PAK-T01L

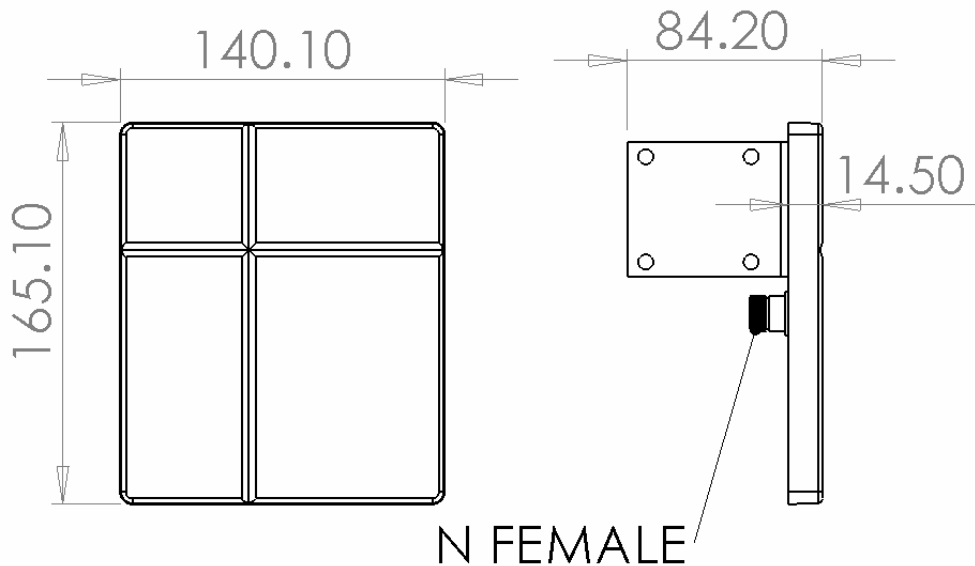
Description : 1.75 ~ 1.9 GHz PANEL ANTENNA

Date : 2008/04/16

Rev : 1



PRO-CELL CO., LTD.



Electrical Specifications:

Frequency Range :	1.75~1.9 GHz
VSWR :	≤ 2.0
Impedance :	$50\Omega \pm 5\Omega$
Gain :	12 dBi
Polarization :	Vertical
Power Handling :	10 Watt

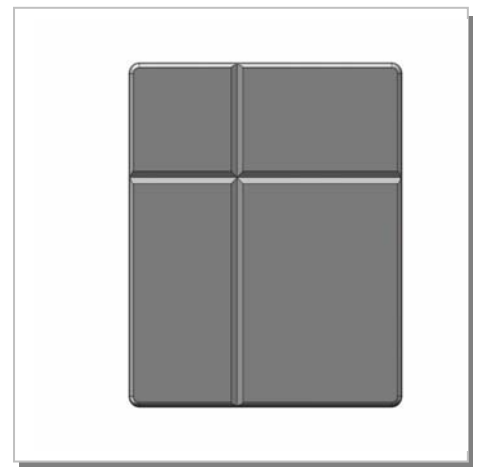
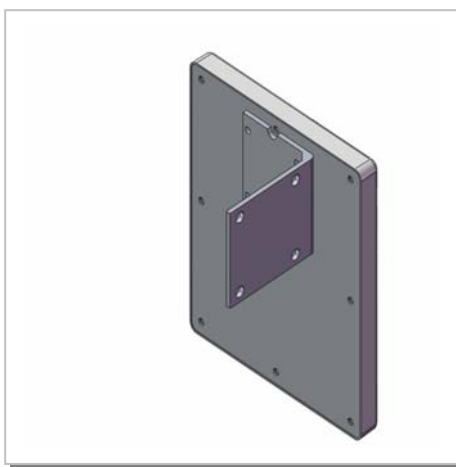
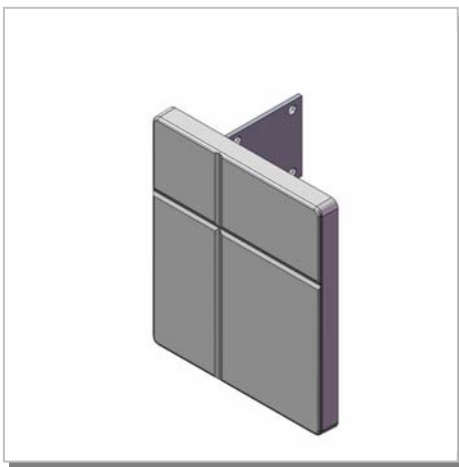
Mechanical Specifications:

Connector :	N Female
Operation Temp. :	$-30^{\circ}\text{C} \sim +60^{\circ}\text{C}$
Material :	Radome: ABS Mount: Zinc alloy
Dimension (L*W*H) :	140.1*165.1*14.5 mm
Weight :	$370\text{g} \pm 20\text{g}$ (w/ mount)
Color :	White



PRO-CELL CO., LTD.

3D Illustration



PRO-CELL CO., LTD.

No.6, Lane 133, Sec.1, Guo-Ji Road, Ta-yuan Hsiang, Taoyuan, Taiwan. R.O.C.

Tel: 886-3-3858288

Fax: 886-3-3858289

E-mail: sales@antenna.com.tw

<http://www.antenna.com.tw>

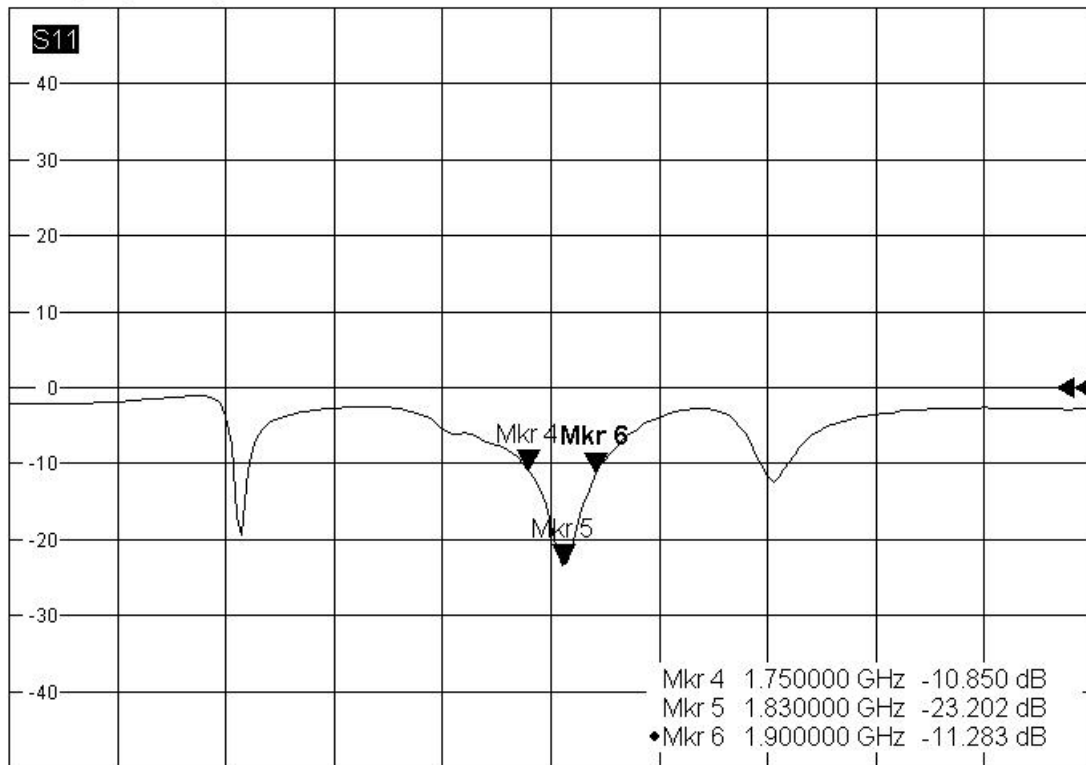


RETURN LOSS

Trc1 **S11** dB Mag 10 dB / Ref 0 dB Cal
Trc2 **S21** dB Mag 5 dB / Ref -55 dB Invisible



1



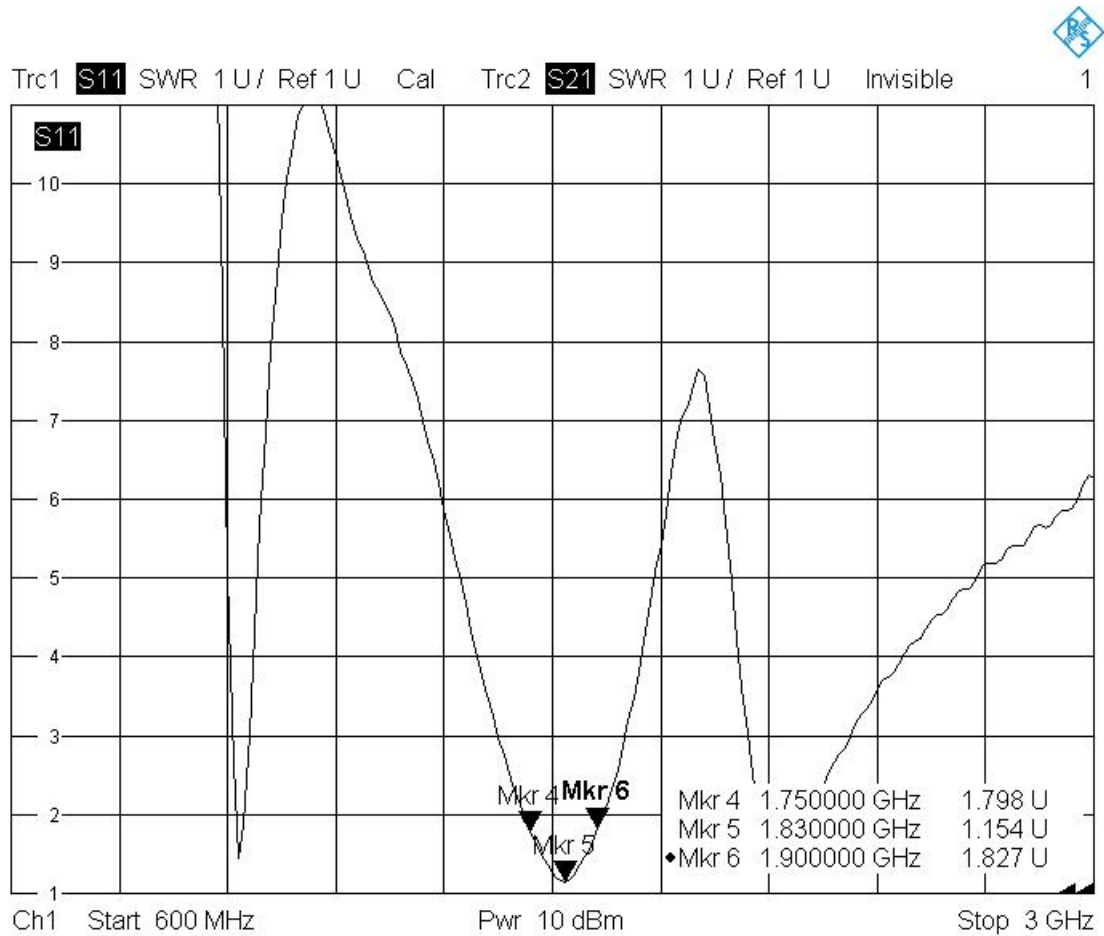
Ch1 Start 600 MHz Pwr 10 dBm Stop 3 GHz

4/10/2008, 10:17 AM



PRO-CELL CO., LTD.

SWR

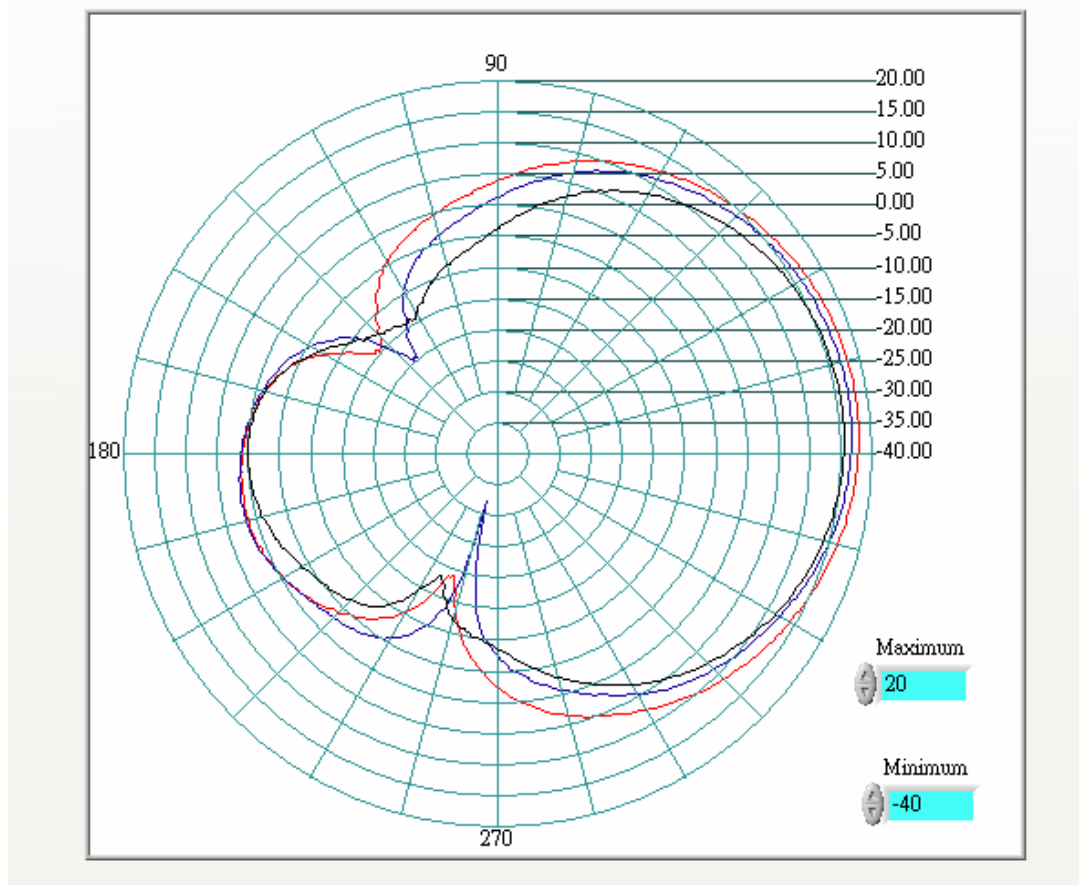


4/10/2008, 10:03 AM



PRO-CELL CO., LTD.

H-PLANE



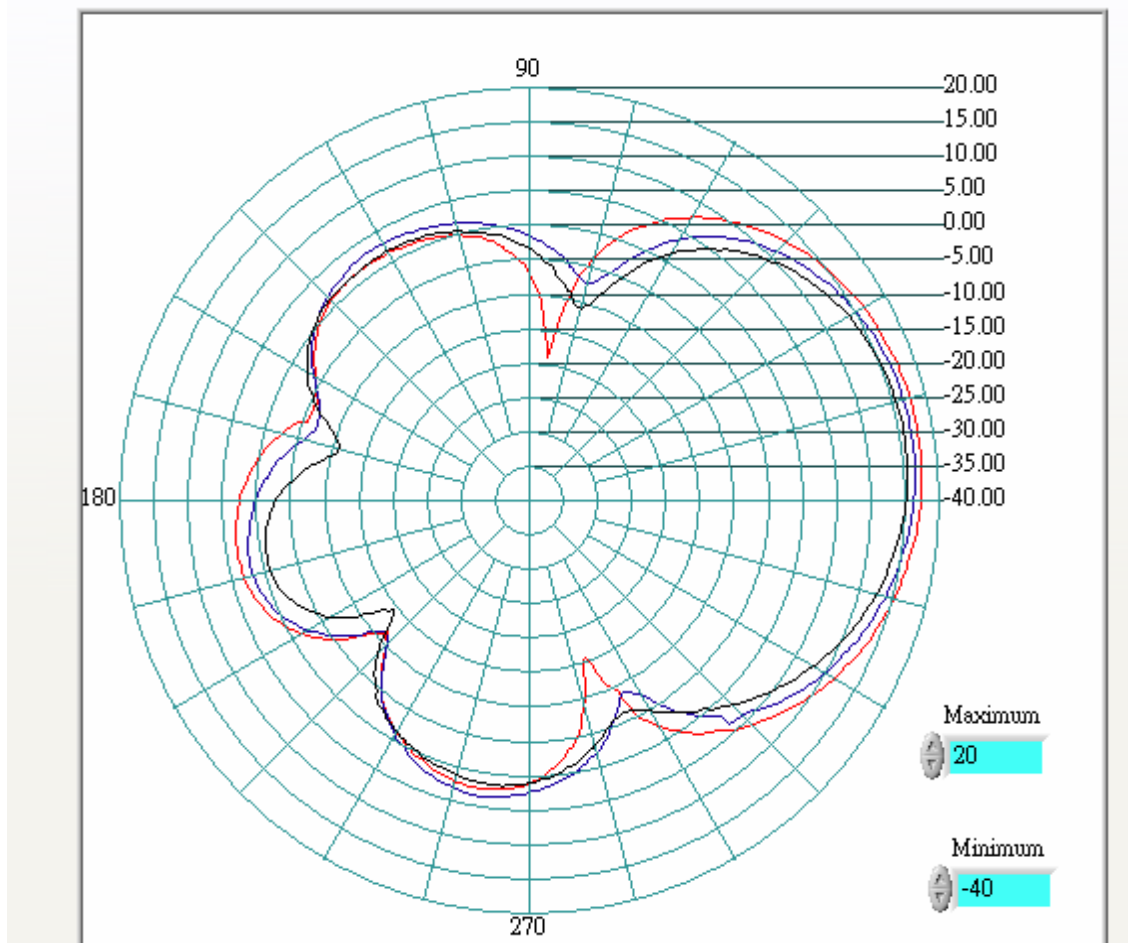
Color	Freq(Mhz)	Peak Gain	Beam Width
■	1750	8.1	70.7
■	1830	9	67
■	1900	9.72	66

PRO-CELL CO., LTD.

No.6, Lane 133, Sec.1, Guo-Ji Road, Ta-yuan Hsiang, Taoyuan, Taiwan. R.O.C.
 Tel: 886-3-3858288 Fax: 886-3-3858289
 E-mail: sales@antenna.com.tw <http://www.antenna.com.tw>



E-PLANE



Color	Freq(Mhz)	Peak Gain	Beam Width
■	1750	7.7	56
■	1830	8.7	53
■	1900	9.7	50.5