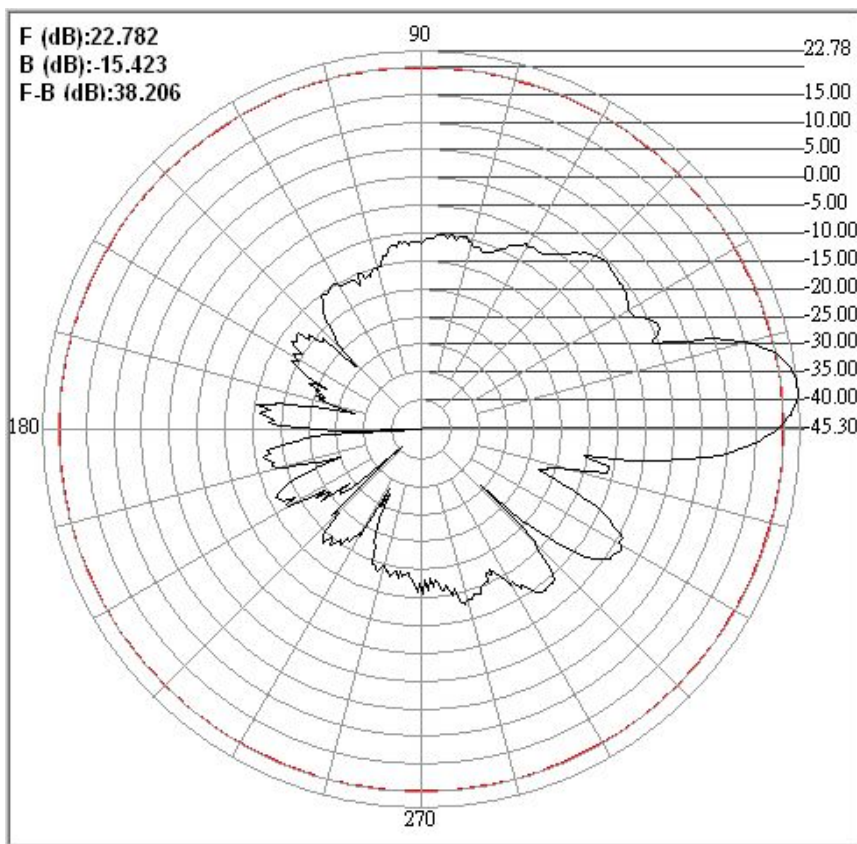




PRO-CELL CO., LTD.

E-PLANE



PRO-CELL CO., LTD.

No.6, Lane 133, Sec.1, Guo-Ji Road, Ta-yuan Hsiang, Taoyuan, Taiwan. R.O.C.

Tel: 886-3-3858288

Fax: 886-3-3858289

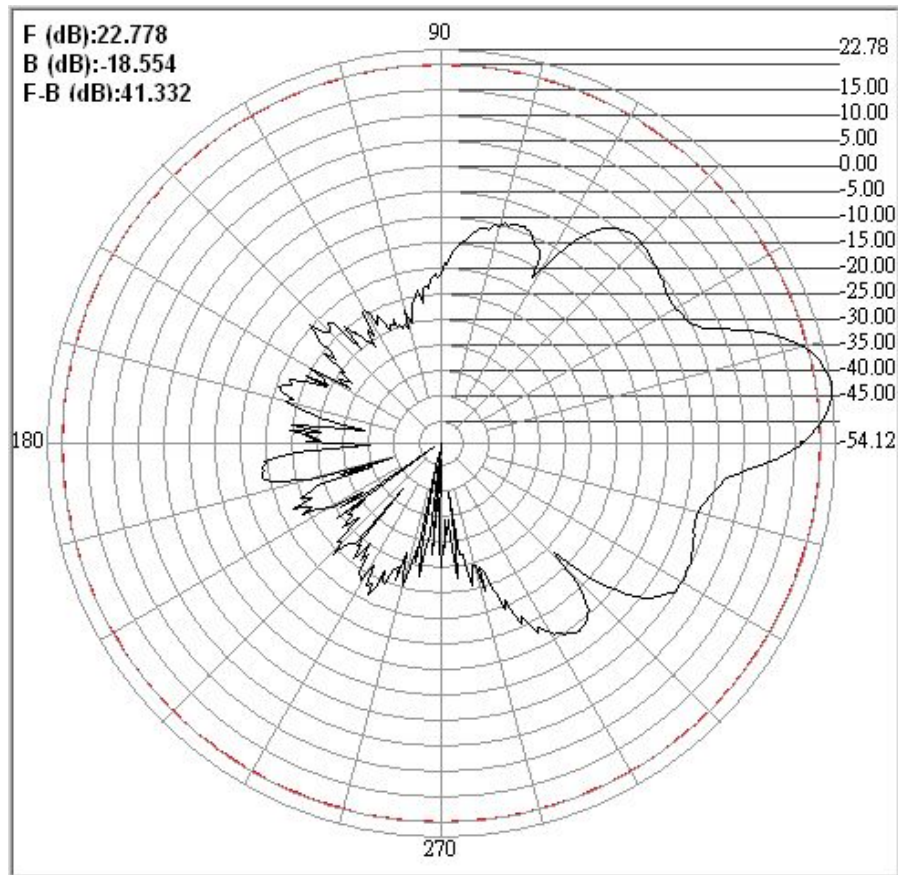
E-mail: sales@antenna.com.tw

<http://www.antenna.com.tw>



PRO-CELL CO., LTD.

H-PLANE



PRO-CELL CO., LTD.

No.6, Lane 133, Sec.1, Guo-Ji Road, Ta-yuan Hsiang, Taoyuan, Taiwan. R.O.C.

Tel: 886-3-3858288

Fax: 886-3-3858289

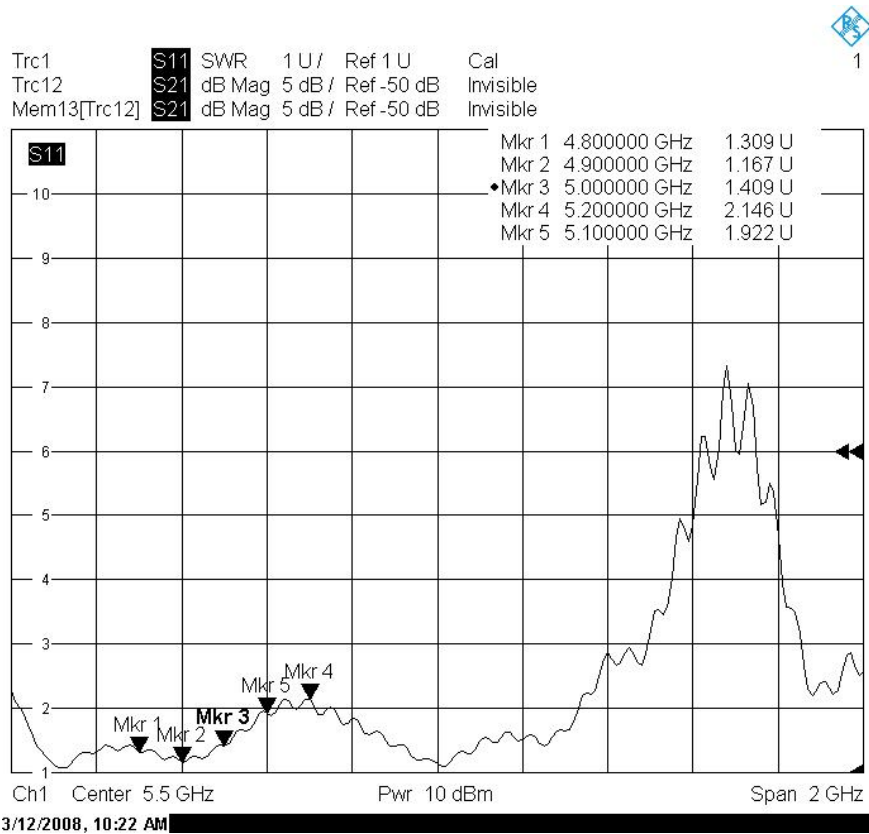
E-mail: sales@antenna.com.tw

<http://www.antenna.com.tw>



PRO-CELL CO., LTD.

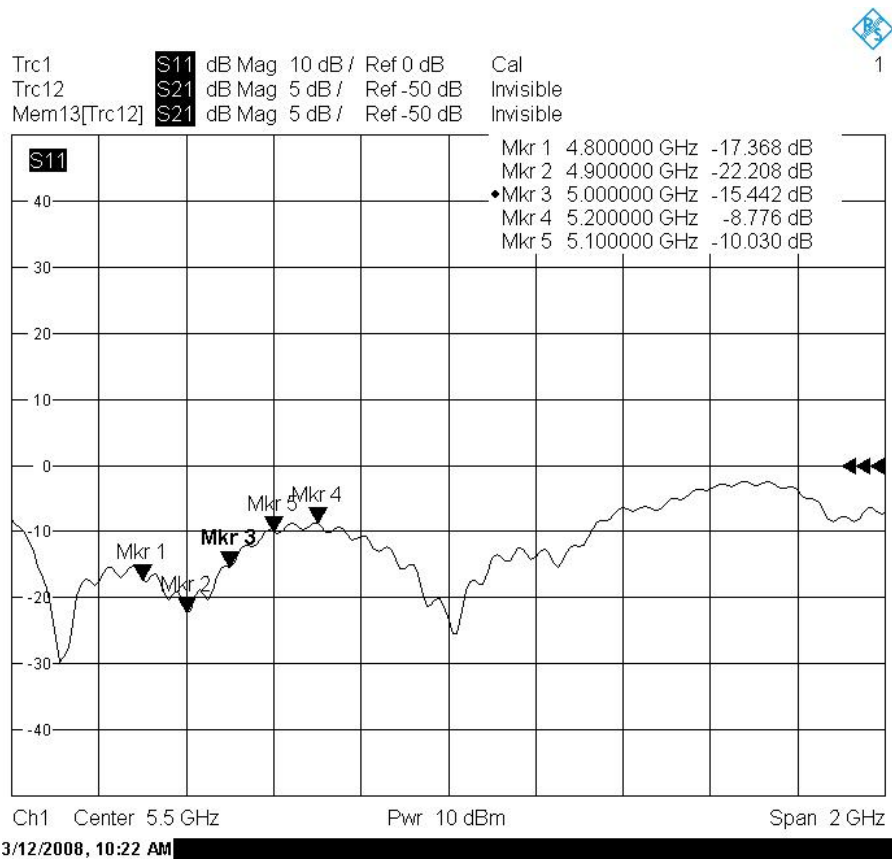
SWR





PRO-CELL CO., LTD.

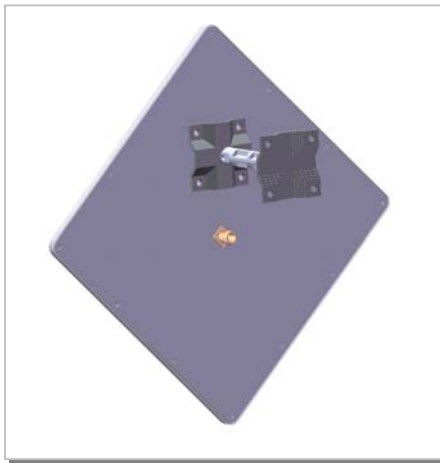
RETURN LOSS





PRO-CELL CO., LTD.

3D Illustration



PRO-CELL CO., LTD.

No.6, Lane 133, Sec.1, Guo-Ji Road, Ta-yuan Hsiang, Taoyuan, Taiwan. R.O.C.

Tel: 886-3-3858288

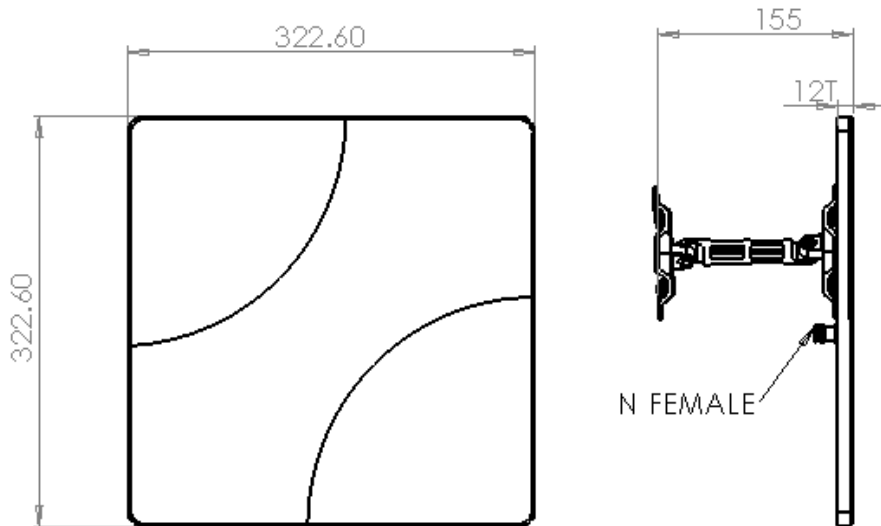
Fax: 886-3-3858289

E-mail: sales@antenna.com.tw

<http://www.antenna.com.tw>



PRO-CELL CO., LTD.



Electrical Specifications:

Frequency Range :	4.8~ 5.1 GHz
VSWR :	≤ 2.0
Impedance :	$50\Omega \pm 5\Omega$
Gain :	23 dBi
Polarization :	Vertical
Power Handling :	10 Watt
Beam Width :	H: 11.9 / E: 11.9

Mechanical Specifications:

Connector :	N Female
Operation Temp. :	$-30^{\circ}\text{C} \sim +60^{\circ}\text{C}$
Material :	Radome: ABS Mount: Zinc alloy
Dimension (L*W*H) :	322.6*322.6*12 mm
Weight :	$1344\text{g} \pm 20\text{g}$ (w/ mount)
Color :	WHITE



PRO-CELL CO., LTD.

SPECIFICATION FOR APPROVAL

Customer :

Model No. : PAO-Z02

Description : 4.8 ~ 5.1 GHz PANEL ANTENNA

Date : 2008/03/20

Rev : 1