



**PRO-CELL CO., LTD.**

# **SPECIFICATION FOR APPROVAL**

**Customer :**

**Model No. : PAU-L001**

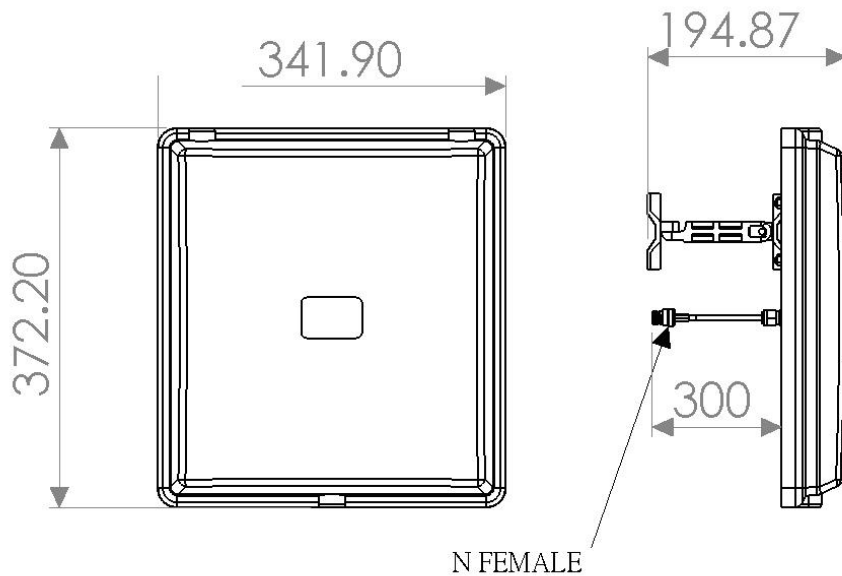
**Description : 860~920/1710~2170 MHz  
PANEL ANTENNA**

**Date : 2008/04/02**

**Rev : 1**



# PRO-CELL CO., LTD.



## Electrical Specifications:

Frequency Range :	860~920/1710~2170MHz
VSWR :	$\leq 2.0$
Impedance :	$50\Omega \pm 5\Omega$
Gain :	9/14 dBi
Polarization :	Vertical
Power Handling :	10 Watt

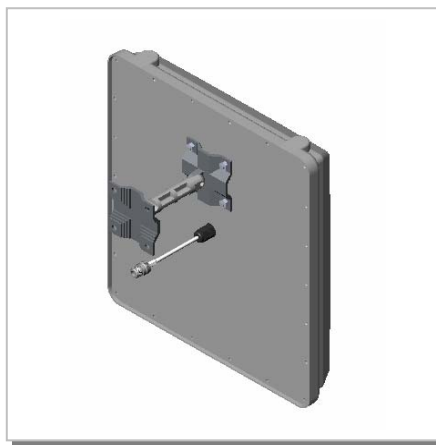
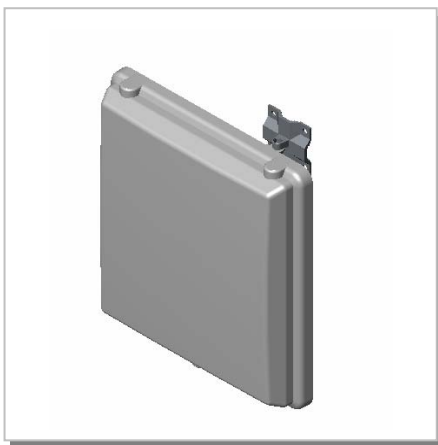
## Mechanical Specifications:

Connector :	N Female
Operation Temp. :	$-30^{\circ}\text{C} \sim +60^{\circ}\text{C}$
Material :	Radome: ABS Mount: Zinc alloy
Dimension (L*W*H) :	341.9*372.2*194.87 mm
Weight :	$2058 \pm 20\text{g}$ (w/ mount)
Color :	White



**PRO-CELL CO., LTD.**

**3D Illustration**



**PRO-CELL CO., LTD.**

No.6, Lane 133, Sec.1 Guo-Ji Road, Ta-yuan Hsiang, Taoyuan, Taiwan, R.O.C.

Tel: 886-3-3858288

Fax: 886-3-3858289

E-mail: [sales@antenna.com.tw](mailto:sales@antenna.com.tw)

<http://www.antenna.com.tw>

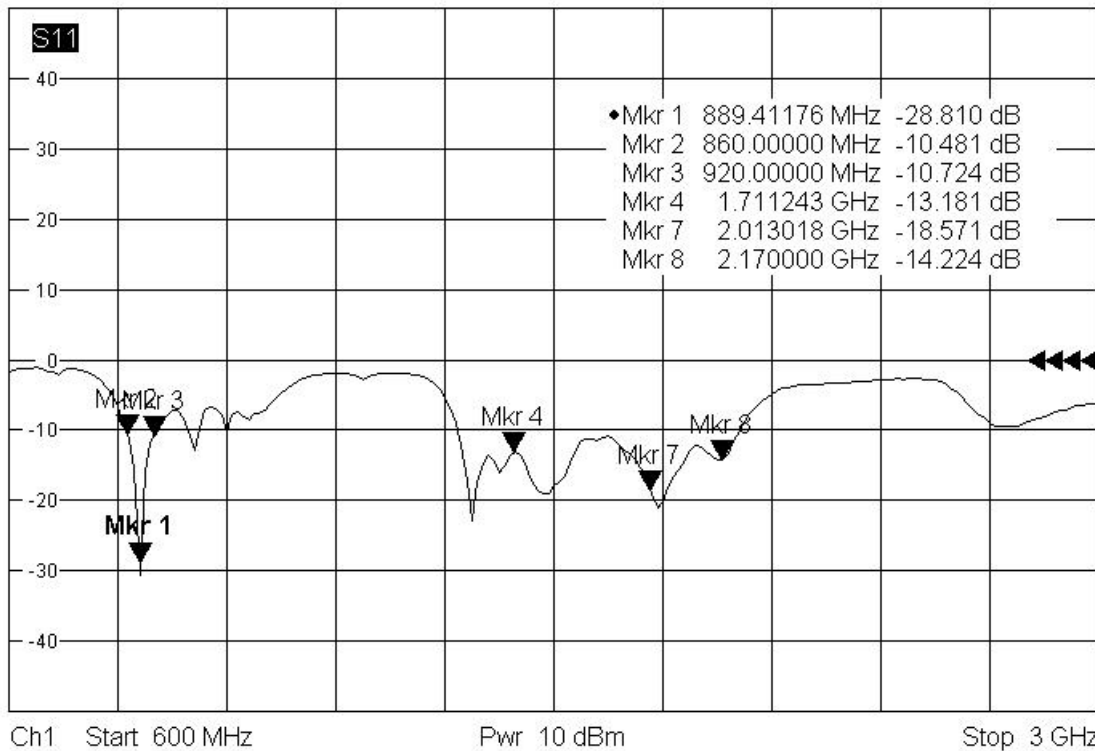


# PRO-CELL CO., LTD.

## RETURN LOSS

Trc1 S11 dB Mag 10 dB / Ref 0 dB Cal  
Trc2 S21 dB Mag 5 dB / Ref -45 dB Invisible  
Mem3[Trc2] S21 dB Mag 5 dB / Ref -45 dB Invisible  
Mem4[Trc1] S11 dB Mag 10 dB / Ref 0 dB Invisible

1 of 1 (Max)



4/22/2008, 12:39 AM

7



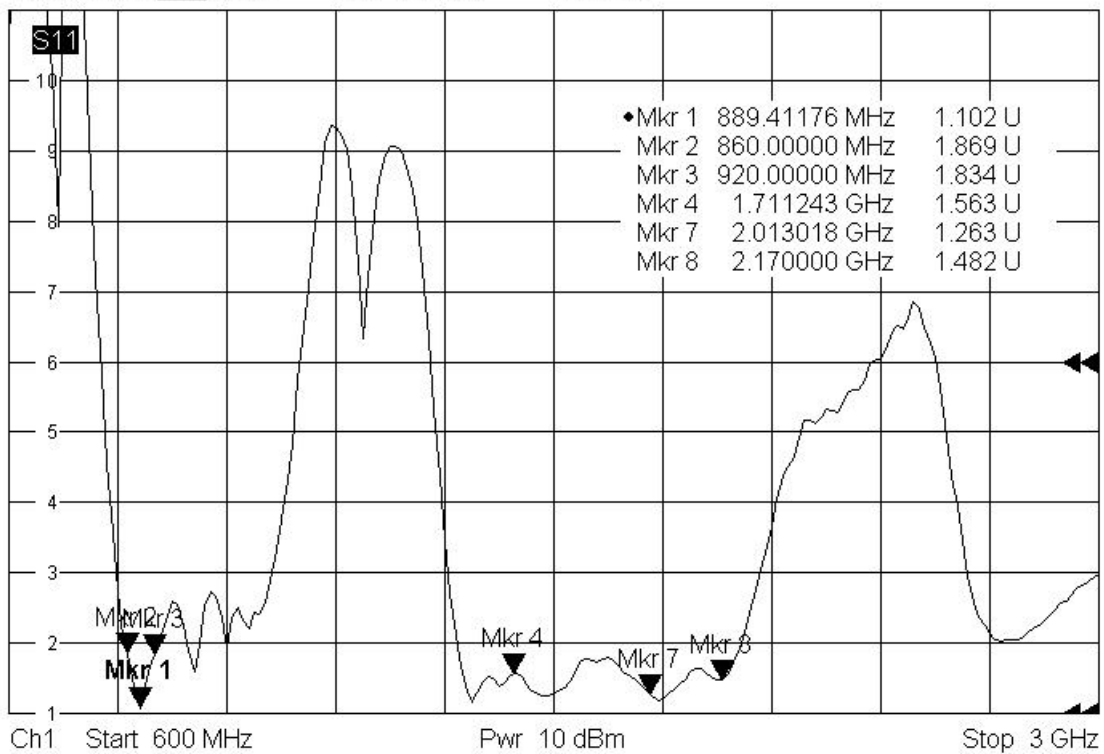
# PRO-CELL CO., LTD.

## SWR



Trc1 S11 SWR 1 U / Ref 1 U Cal  
Trc2 S21 dB Mag 5 dB / Ref -45 dB Invisible  
Mem3[Trc2] S21 dB Mag 5 dB / Ref -45 dB Invisible  
Mem4[Trc1] S11 SWR 1 U / Ref 1 U Invisible

1 of 1 (Max)

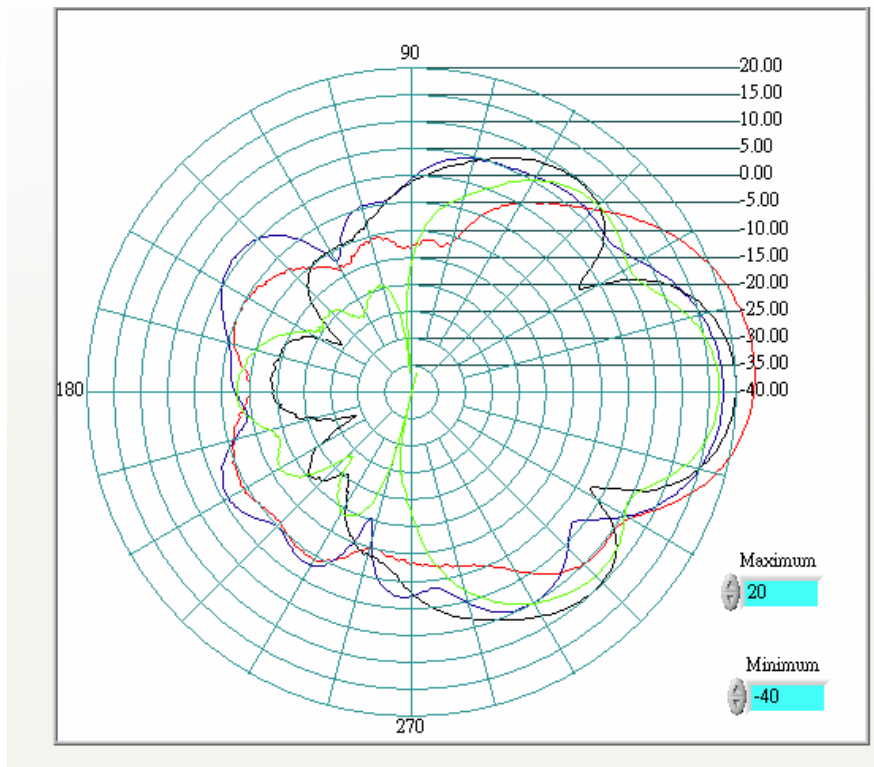


4/22/2008, 12:39 AM



**PRO-CELL CO., LTD.**

**H-PLANE**



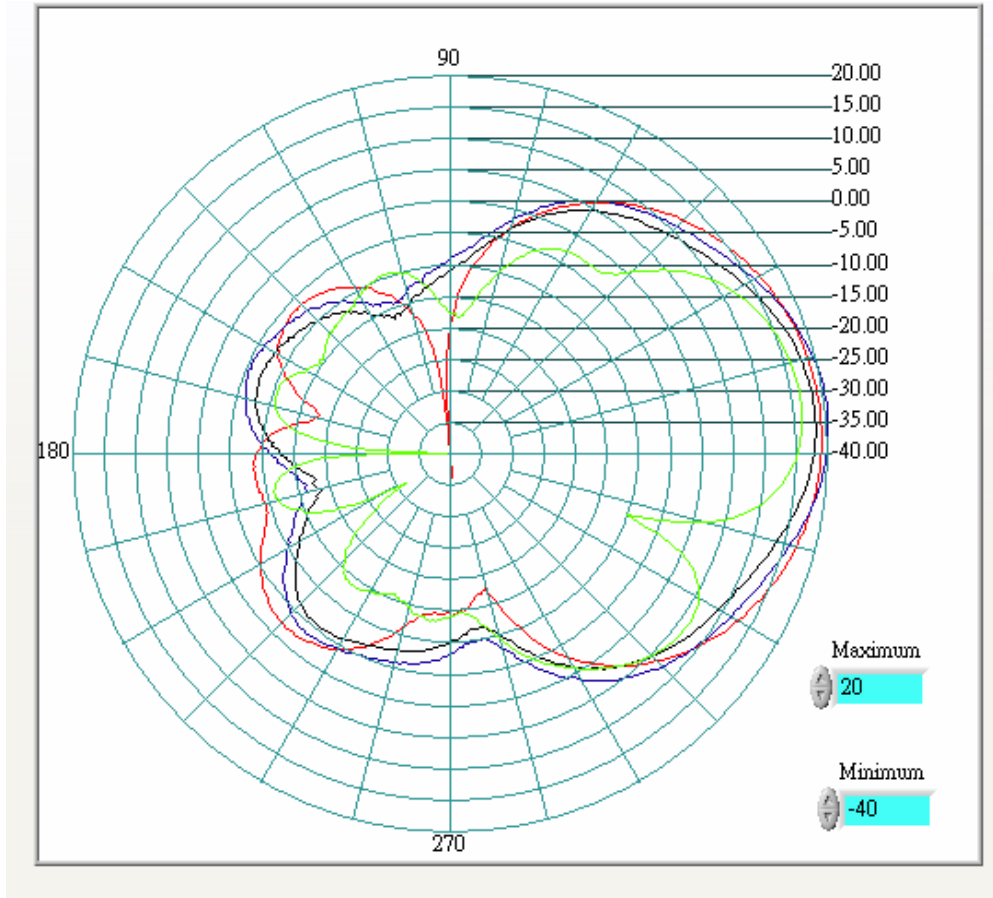
Color	Freq(Mhz)	Peak Gain	Beam Width
<span style="color: red;">■</span>	900	9.09	53.5
<span style="color: blue;">■</span>	1800	12.3	34.4
<span style="color: black;">■</span>	1900	13.95	27.7
<span style="color: green;">■</span>	2100	12.8	26.7

**PRO-CELL CO., LTD.**

No.6, Lane 133, Sec.1 Guo-Ji Road, Ta-yuan Hsiang, Taoyuan, Taiwan. R.O.C.  
 Tel: 886-3-3858288 Fax: 886-3-3858289  
 E-mail: [sales@antenna.com.tw](mailto:sales@antenna.com.tw) <http://www.antenna.com.tw>



**E-PLANE**



Color	Freq(Mhz)	Peak Gain	Beam with
■	900	9.02	51.1
■	1800	12.3	37.1
■	1900	13.58	32.6
■	2100	12.8	26.3